



**OPERATOR'S MANUAL
MANUEL de L'UTILISATEUR
MANUAL del OPERADOR**

**Catalog No.
No de Cat.
Catálogo No.**

**6390-20
6394**



**HEAVY-DUTY CIRCULAR SAW WITH TILT-LOK™ HANDLE
SCIES CIRCULAIRES INDUSTRIELLES AVEC POIGNEE « TILT-LOK™ »
SIERRA CIRCULAR PARA TRABAJO PESADO CON EMPUÑADURA
TILT-LOK™ (INCLINABLE-FIJABLE)**

*TO REDUCE THE RISK OF INJURY, USER MUST READ AND UNDERSTAND OPERATOR'S MANUAL.
AFIN DE RÉDUIRE LE RISQUE DE BLESSURES, L'UTILISATEUR DOIT LIRE ET BIEN COMPRENDRE LE
MANUEL DE L'UTILISATEUR.
PARA REDUCIR EL RIESGO DE LESIONES, EL USUARIO DEBE LEER Y ENTENDER EL MANUAL DEL
OPERADOR.*

GENERAL SAFETY RULES — FOR ALL POWER TOOLS



WARNING!

READ ALL INSTRUCTIONS

Failure to follow all instructions listed below may result in electric shock, fire and/or serious injury. The term "power tool" in all of the warnings listed below refers to your mains-operated (corded) power tool or battery-operated (cordless) power tool.

SAVE THESE INSTRUCTIONS

WORK AREA SAFETY

1. **Keep work area clean and well lit.** Cluttered or dark areas invite accidents.
2. **Do not operate power tools in explosive atmospheres, such as in the presence of flammable liquids, gases, or dust.** Power tools create sparks which may ignite the dust or fumes.
3. **Keep children and bystanders away while operating a power tool.** Distractions can cause you to lose control.

ELECTRICAL SAFETY

4. **Power tool plugs must match the outlet. Never modify the plug in any way. Do not use any adapter plugs with earthed (grounded) power tools.** Unmodified plugs and matching outlets will reduce risk of electric shock.
5. **Avoid body contact with earthed or grounded surfaces such as pipes, radiators, ranges and refrigerators.** There is an increased risk of electric shock if your body is earthed or grounded.
6. **Do not expose power tools to rain or wet conditions.** Water entering a power tool will increase the risk of electric shock.
7. **Do not abuse the cord. Never use the cord for carrying, pulling, or unplugging the power tool. Keep cord away from heat, oil, sharp edges, or moving parts.** Damaged or entangled cords increase the risk of electric shock.
8. **When operating a power tool outdoors, use an extension cord suitable for outdoor use.** Use of a cord suitable for outdoor use reduces the risk of electric shock.

PERSONAL SAFETY

9. **Stay alert, watch what you are doing and use common sense when operating a power tool. Do not use a power tool while you are tired or under the influence of drugs, alcohol or medication.** A moment of inattention while operating power tools may result in serious personal injury.
10. **Use safety equipment. Always wear eye protection.** Safety equipment such as dust mask, non-skid safety shoes, hard hat, or hearing protection used for appropriate conditions will reduce personal injuries.
11. **Avoid accidental starting. Ensure the switch is in the off-position before plugging in.** Carrying tools with your finger on the switch or plugging in power tools that have the switch on invites accidents.
12. **Remove any adjusting key or wrench before turning the power tool on.** A wrench or a key left attached to a rotating part of the power tool may result in personal injury.
13. **Do not overreach. Keep proper footing and balance at all times.** This enables better control of the power tool in unexpected situations.
14. **Dress properly. Do not wear loose clothing or jewellery. Keep your hair, clothing and gloves away from moving parts.** Loose clothes, jewellery, or long hair can be caught in moving parts.
15. **If devices are provided for the connection of dust extraction and collection facilities, ensure these are connected and properly used.** Use of these devices can reduce dust-related hazards.

POWER TOOL USE AND CARE

16. **Do not force the power tool. Use the correct power tool for your application.** The correct power tool will do the job better and safer at the rate for which it was designed.
17. **Do not use the power tool if the switch does not turn it on and off.** Any power tool that cannot be controlled with the switch is dangerous and must be repaired.
18. **Disconnect the plug from the power source and/or the battery pack from the power tool before making any adjustments, changing accessories, or storing power tools.** Such preventive safety measures reduce the risk of starting the tool accidentally.
19. **Store idle power tools out of the reach of children and do not allow persons unfamiliar with the power tools or these instructions to operate power tools.** Power tools are dangerous in the hands of untrained users.
20. **Maintain power tools. Check for misalignment or binding of moving parts, breakage of parts and any other condition that may affect the power tool's operation. If damaged, have the power tool repaired before use.** Many accidents are caused by poorly maintained power tools.
21. **Keep cutting tools sharp and clean.** Properly maintained cutting tools with sharp cutting edges are less likely to bind and are easier to control.
22. **Use the power tool, accessories and tool bits etc., in accordance with these instructions and in the manner intended for the particular type of power tool, taking into account the working conditions and the work to be performed.** Use of the power tool for operations different from those intended could result in a hazardous situation.

SERVICE

23. **Have your power tool serviced by a qualified repair person using only identical replacement parts.** This will ensure that the safety of the power tool is maintained.

SPECIFIC SAFETY RULES — CIRCULAR SAWS

1. **Maintain labels and nameplates.** These carry important information. If unreadable or missing, contact a *MILWAUKEE* service facility for a free replacement.
2. **DANGER! Keep hands away from cutting area and blade. Keep your second hand on auxiliary handle or motor housing.** If both hands are holding the saw, they cannot be cut by the blade.

Do not reach underneath the workpiece. The guard cannot protect you from the blade below the workpiece.

Adjust the cutting depth to the thickness of the workpiece. Less than a full tooth of the blade teeth should be visible below the workpiece.
3. **Check lower guard for proper closing before each use. Do not operate the saw if lower guard does not move freely and close instantly.** Never clamp or tie the lower guard into the open position. If saw is accidentally dropped, lower guard may be bent. Raise the lower guard with the retracting handle and make sure it moves freely and does not touch the blade or any other part, in all angles and depths of cut.
4. **Check the operation and condition of the lower guard spring. If the guard and the spring are not operating properly, they must be serviced before use.** Lower guard may operate sluggishly due to damaged parts, gummy deposits, or a buildup of debris.
5. **Lower guard should be retracted manually only for special cuts such as "Plunge Cuts" and "Compound Cuts". Raise lower guard by retracting handle and as soon as blade enters the material, the lower guard must be released.** For all other sawing, the lower guard should operate automatically.
6. **Always observe that the lower guard is covering the blade before placing saw down on bench or floor.** An unprotected, coasting blade will cause the saw to walk backwards, cutting whatever is in its path. Be aware of the time it takes for the blade to stop after switch is released.
7. **NEVER hold piece being cut in your hands or across your leg. Secure the workpiece to a stable platform.** It is important to support the work properly to minimize body exposure, blade binding, or loss of control.
8. **Hold power tools by insulated gripping surfaces when performing an operation where the cutting tool may contact hidden wiring or its own cord.** Contact with a "live" wire will make exposed metal parts of the tool "live" and shock the operator.
9. **When ripping always use a rip fence or straight edge guide.** This improves the accuracy of cut and reduces the chance for blade binding.
10. **Always use blades with correct size and shape (diamond vs. round) arbor holes.** Blades that do not match the mounting hardware of the saw will run eccentrically, causing loss of control.
11. **Never use damaged or incorrect blade washers or bolts.** The blade washers and bolts were specially designed for your saw, for optimum performance and safety of operation.
12. **WARNING!** Some dust created by power sanding, sawing, grinding, drilling, and other construction activities contains chemicals known to cause cancer, birth defects or other reproductive harm. Some examples of these chemicals are:
 - lead from lead-based paint
 - crystalline silica from bricks and cement and other masonry products, and
 - arsenic and chromium from chemically-treated lumber.Your risk from these exposures varies, depending on how often you do this type of work. To reduce your exposure to these chemicals: work in a well ventilated area, and work with approved safety equipment, such as those dust masks that are specifically designed to filter out microscopic particles.
13. **Causes and Operator Prevention of KICKBACK:**

KICKBACK is a sudden reaction to a pinched, bound or misaligned saw blade, causing an uncontrolled saw to lift up and out of the workpiece toward the operator.

When the blade is pinched or bound tightly by the kerf closing down, the blade stalls and the motor reaction drives the unit rapidly back toward the operator.

If the blade becomes twisted or misaligned in the cut, the teeth at the back edge of the blade can dig into the top surface of the wood causing the blade to climb out of the kerf and jump back toward operator.

KICKBACK is the result of saw misuse and/or incorrect operating procedures or conditions and can be avoided by taking proper precautions as given below:
14. **Maintain a firm grip with both hands on the saw and position your arms to resist KICKBACK forces. Position your body to either side of the blade, but not in line with the blade.** KICKBACK could cause the saw to jump backwards, but kickback forces can be controlled by the operator, if proper precautions are taken.
15. **When blade is binding, or when interrupting a cut for any reason, release the trigger and hold the saw motionless in the material until the blade comes to a complete stop. Never attempt to remove the saw from the work or pull the saw backward while the blade is in motion or KICKBACK may occur.** Investigate and take corrective actions to eliminate the cause of blade binding.
16. **When restarting a saw in the workpiece, center the saw blade in the kerf and check that saw teeth are not engaged into the material.** If saw blade is binding, it may walk up or KICKBACK from the workpiece as the saw is restarted.
17. **Support large panels to minimize the risk of blade pinching and KICKBACK.** Large panels tend to sag under their own weight. Supports must be placed under the panel on both sides, near the line of cut and near the edge of the panel.
18. **Do not use dull or damaged blade.** Unsharpened or improperly set blades produce narrow kerf causing excessive friction, blade binding and KICKBACK.
19. **Blade depth and bevel adjusting locking levers must be tight and secure before making cut.** If blade adjustment shifts while cutting, it may cause binding and KICKBACK.
20. **Use extra caution when making a "Plunge Cut" into existing walls or other blind areas.** The protruding blade may cut objects that can cause KICKBACK.

GROUNDING



WARNING!

Improperly connecting the grounding wire can result in the risk of electric shock. Check with a qualified electrician if you are in doubt as to whether the outlet is properly grounded. Do not modify the plug provided with the tool. Never remove the grounding prong from the plug. Do not use the tool if the cord or plug is damaged. If damaged, have it repaired by a **MILWAUKEE** service facility before use. If the plug will not fit the outlet, have a proper outlet installed by a qualified electrician.

Grounded Tools: Tools with Three Prong Plugs

Tools marked "Grounding Required" have a three wire cord and three prong grounding plug. The plug must be connected to a properly grounded outlet (See Figure A). If the tool should electrically malfunction or break down, grounding provides a low resistance path to carry electricity away from the user, reducing the risk of electric shock.

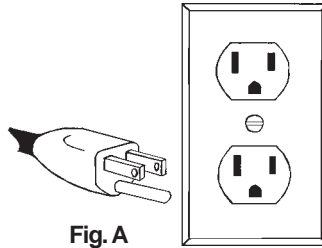


Fig. A

The grounding prong in the plug is connected through the green wire inside the cord to the grounding system in the tool. The green wire in the cord must be the only wire connected to the tool's grounding system and must never be attached to an electrically "live" terminal.

Your tool must be plugged into an appropriate outlet, properly installed and grounded in accordance with all codes and ordinances. The plug and outlet should look like those in Figure A.

Double Insulated Tools: Tools with Two Prong Plugs

Tools marked "Double Insulated" do not require grounding. They have a special double insulation system which satisfies OSHA requirements and complies with the applicable standards of Underwriters Laboratories, Inc., the Canadian Standard Association and the National Electrical Code. Double Insulated tools may be used in either of the 120 volt outlets shown in Figures B and C.

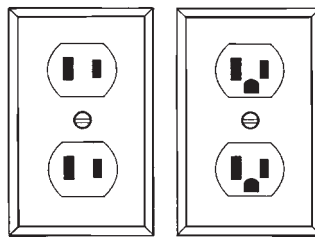


Fig. B

Fig. C

EXTENSION CORDS

Grounded tools require a three wire extension cord. Double insulated tools can use either a two or three wire extension cord. As the distance from the supply outlet increases, you must use a heavier gauge extension cord. Using extension cords with inadequately sized wire causes a serious drop in voltage, resulting in loss of power and possible tool damage. Refer to the table shown to determine the required minimum wire size.

The smaller the gauge number of the wire, the greater the capacity of the cord. For example, a 14 gauge cord can carry a higher current than a 16 gauge cord. When using more than one extension cord to make up the total length, be sure each cord contains at least the minimum wire size required. If you are using one extension cord for more than one tool, add the nameplate amperes and use the sum to determine the required minimum wire size.

Guidelines for Using Extension Cords

- If you are using an extension cord outdoors, be sure it is marked with the suffix "W-A" ("W" in Canada) to indicate that it is acceptable for outdoor use.
- Be sure your extension cord is properly wired and in good electrical condition. Always replace a damaged extension cord or have it repaired by a qualified person before using it.
- Protect your extension cords from sharp objects, excessive heat and damp or wet areas.







Recommended Minimum Wire Gauge for Extension Cords*

Nameplate Amperes	Extension Cord Length					
	25'	50'	75'	100'	150'	200'
0 - 5	16	16	16	14	12	12
5.1 - 8	16	16	14	12	10	--
8.1 - 12	14	14	12	10	--	--
12.1 - 15	12	12	10	10	--	--
15.1 - 20	10	10	10	--	--	--

* Based on limiting the line voltage drop to five volts at 150% of the rated amperes.

**READ AND SAVE ALL INSTRUCTIONS
FOR FUTURE USE.**

Symbology

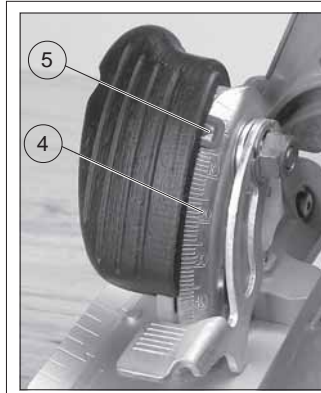
	Double Insulated
	Canadian Standards Association
	Underwriters Laboratories, Inc.
	Volts Alternating Current/ Direct Current
	Volts Alternating Current
	Amps
n_0 <u>xxxx</u> /min.	No Load Revolutions per Minute (RPM)

Specifications

Cat. No.	Volts	No Load RPM	Blade Size	Arbor	Depth of Cut At 90°	Depth of Cut at 45°
6390-20	120 AC/DC	5800	7-1/4"	5/8"	0 to 2-15/32"	0 to 1-13/16"
6394	120 AC Only	5800	7-1/4"	5/8"	0 to 2-15/32"	0 to 1-13/16"

FUNCTIONAL DESCRIPTION

1. Tilt-Lok™ handle
2. Handle lever release button
3. Handle release lever
4. Bevel scale
5. Bevel pointer
6. Bevel adjusting lever
7. Spindle lock button
8. Depth setting gauge (not shown)
9. Trigger
10. Cord release button (Cat. No. 6394 only)
11. Depth adjusting lever



12. Front handle
13. Sight line
14. Rip fence slot
15. Lower guard
16. Blade flange
17. Blade bolt
18. Blade
19. Shoe
20. Lower guard lever
21. Upper guard
22. Positive-Lok® cord (Cat. No. 6394 only)



Cat. No. 6394

TOOL ASSEMBLY

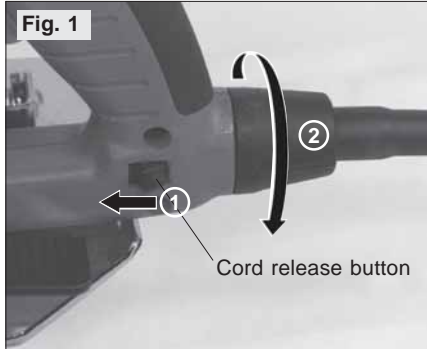


WARNING!

To reduce the risk of injury, always unplug tool before attaching or removing accessories or making adjustments. Use only specifically recommended accessories. Others may be hazardous.

Removing and Replacing Positive-Lok® Cords (Fig. 1) Cat. No. 6394

MILWAUKEE'S exclusive Positive-Lok® Cords provide instant field replacement or substitution. The Positive-Lok® feature secures the cord firmly to the tool.



1. To remove the Positive-Lok® Cord, push the cord release button in the direction shown and turn the cord nut 1/4 turn to the left. Pull the cord out.
2. To replace the Positive-Lok® Cord, align the connector keyways and push the connector in as far as it will go. Turn the cord nut 1/4 turn to the right to lock. The cord release button will click back into place.

Selecting Blade

Always use sharp blades. Dull blades tend to overload the tool and increase the chance of KICKBACK (see page 8). Only use blades with a maximum safe operating speed greater than the no load RPM marked on the tool's nameplate. Read the blade manufacturer's instructions before use.

Installing and Removing Blades (Figs. 2 & 3)

1. Unplug tool before installing or removing blades.
2. Place the saw on a flat surface with the blade facing upwards. To remove the bolt from the spindle, push in the spindle lock button. While holding the spindle lock button in, use the wrench provided with the tool to turn the bolt counterclockwise (Fig. 2). Remove the bolt and blade flange.



3. Slide the lower guard lever up to raise the lower guard. Remove the blade from the spindle. Always clean the spindle, upper guard and lower guard to remove any dirt and sawdust.

4. To install a blade, place the blade on the spindle with the teeth pointing in the same direction as the arrow on the lower guard (Fig. 3). Release the lower guard lever.



5. Place the blade flange on the spindle and hand tighten the bolt.
6. While holding the spindle lock button in, use the wrench to turn the bolt clockwise and tighten.

Adjusting Depth (Figs. 4 & 5)

1. Unplug tool.
2. To adjust the depth of the cut, hold the saw by the Tilt-Lok™ handle and loosen the depth adjusting lever by lifting it up and away from the shoe (Fig. 4).



3. Raise or lower the shoe to the desired position. Markings in 1/4" increments are located on the inner side of the upper guard for depth setting. For the proper depth setting, the blade should extend no more than 1/4" below the material being cut (Fig. 5).



4. Move the depth adjusting lever towards the shoe and push down to secure the position.

Adjusting Bevel Angle (Figs. 6 & 7)

1. Unplug tool.
2. To adjust the angle of the cut, hold the saw by the Tilt-Lok™ handle and loosen the bevel adjusting lever by lifting it up towards the blade (Fig. 6).



3. Hold the front handle and rotate the saw by the Tilt-Lok™ handle to the desired angle as indicated by the markings on the bevel scale (Fig. 7).



4. Move the bevel adjusting lever away from the blade and push down to secure the position.

Adjusting Tilt-Lok™ Handle Angle (Figs. 8 & 9)

This circular saw is equipped with an adjustable handle. The Tilt-Lok™ feature allows the user to adjust the angle of the handle for optimum cutting positions.

1. Unplug tool.
2. Press and hold the handle lever release button in.
3. Loosen the handle release lever by lifting it up and away from the Tilt-Lok™ handle (Fig. 8).



4. To adjust the handle position, hold the front handle and rotate the Tilt-Lok™ handle to the desired angle as indicated by the handle rotation adjustment markings (Fig. 9). The Tilt-Lok™ feature has eight (8) detents which allow the handle to snap into position. Allow the detent to snap into place.



NOTE: The blade depth setting will determine the range of Tilt-Lok™ positions available for the application. See "Adjusting Depth" for instructions on adjusting the blade depth.

5. Push the handle release lever back into the handle until it snaps into place.



WARNING!

Do not operate saw with handle lever release button pressed in or with handle not locked into position.

NOTE: The saw will not operate if the handle release lever is not properly secured.



WARNING!

If the Tilt-Lok™ handle moves with the handle release lever in the locked position, do not operate saw. Return the circular saw to a **MILWAUKEE** service facility for repair immediately.

Adjusting the Blade to Shoe (Figs. 10 & 11)

The shoe has been adjusted at the factory to a 90 degree setting. Inspect the saw regularly to make sure the blade is 90 degrees to the shoe.

1. Unplug tool.
2. Set the bevel pointer to zero (Fig. 10).



- To make sure the blade is 90 degrees to the shoe, place saw on the blade side and retract lower guard. Place a square against the blade and shoe to inspect the degree setting (Fig. 11).
- To adjust the degree setting, loosen the bevel adjusting lever up by lifting it up towards the blade. Turn the bevel adjustment screw in or out until the blade is at a 90 degree angle with the shoe.
- Check that the bevel pointer is at 0 degrees. To adjust the bevel pointer, loosen the two screws in the front handle and reposition the bevel pointer to 0 degrees.



OPERATION



WARNING!

To reduce the risk of injury, wear safety goggles or glasses with side shields. Unplug the tool before changing accessories or making adjustments.

Causes and Operator Prevention of KICKBACK:

KICKBACK is a sudden reaction to a pinched, bound or misaligned saw blade, causing an uncontrolled saw to lift up and out of the workpiece toward the operator.

When the blade is pinched or bound tightly by the kerf, or cutting slot, closing down, the blade stalls and the motor reaction drives the unit rapidly back toward the operator.

If the blade becomes twisted or misaligned in the cut, the teeth at the back edge of the blade can dig into the top surface of the wood causing the blade to climb out of the kerf and jump back toward operator.

KICKBACK is the result of tool misuse and/or incorrect operating procedures or conditions and can be avoided by taking proper precautions as given below:

- Maintain a firm grip with both hands on the saw and position your body and arm to allow you to resist KICKBACK forces. KICKBACK forces can be controlled by the operator, if proper precautions are taken.
- When blade is binding, or when interrupting a cut for any reason, release the trigger and hold the saw motionless in the material until the blade comes to a complete stop. Never attempt to remove the saw from the work or pull the saw backward while the blade is in motion or KICKBACK may occur. Investigate and take corrective actions to eliminate the cause of blade binding.
- When restarting a saw in the workpiece, center the saw blade in the kerf, or cut, and check that saw teeth are not engaged into the material. If saw blade is binding, it may walk up or KICKBACK from the workpiece as the saw is restarted.
- Support large panels to minimize the risk of blade pinching and KICKBACK. Large panels tend to sag under their own weight. Supports must be placed under the panel on both sides, near the line of cut and near the edge of the panel.
- Do not use dull or damaged blades. Unsharpened or improperly set blades produce narrow kerf causing excessive friction, blade binding and KICKBACK.
- Blade depth and bevel adjusting locking levers must be tight and secure before making cut. If blade adjustment shifts while cutting, it may cause binding and KICKBACK.
- Use extra caution when making a "Pocket Cut" into existing walls or other blind areas. The protruding blade may cut objects that can cause KICKBACK.

- Set the depth of cut for no more than 1/8" to 1/4" greater than the thickness of the stock. The less blade exposed, the less chance of binding and KICKBACK. Before cutting, be sure depth and bevel adjustments are tight.
- Be cautious of pitchy, knotty, wet or warped stock. These are most likely to create pinching conditions and possible KICKBACK. Do not rip warped lumber. Avoid cutting nails.
- Use a rip fence or edge guide when ripping. Guides improve control and reduce blade binding.
- Stay alert. Any distraction can cause twisting or binding. Repetitive cuts may lull the user into careless movements.

General Operation (Figs. 12 & 13)

Always clamp the workpiece securely on a saw horse or bench (Fig. 12). See "APPLICATIONS" for the correct way to support your work in different situations.



- Draw a cutting line. Place the front of the shoe on the edge of the workpiece without making blade contact. Hold the Tilt-Lok™ handle with one hand and the front handle with the other (Fig. 13).



- Line up the sight line with your cutting line. Position your arms and body to resist KICKBACK. Pull the trigger, allowing the motor to reach full speed before beginning to cut.
- While cutting, keep the shoe flat against the workpiece and maintain a firm grip. Do not force the saw through the workpiece. Forcing a saw can cause KICKBACK.

4. If making a partial cut, restarting in mid-cut or correcting direction, allow the blade to come to a complete stop. To resume cutting, center the blade in the kerf, back the saw away from cutting edge a few inches, pull the trigger and re-enter the cut slowly.
5. If the saw binds and stalls, maintain a firm grip and release the trigger immediately. Hold the saw motionless in the workpiece until the blade comes to a complete stop.
6. After finishing a cut, be sure the lower guard closes and the blade comes to a complete stop before setting the saw down.

Electric Brake (Cat. No. 6394)

Select models feature an electronic brake. The brake engages when the trigger is released, causing the blade to stop and allowing you to proceed with your work. Generally, the saw blade stops within two seconds. However, there may be a delay between the time you release the trigger and when the brake engages. Occasionally the brake may miss completely. If the brake misses frequently, the saw needs servicing by an authorized **MILWAUKEE** service facility. The brake is not a substitute for the guard, and you must always wait for the blade to stop completely before removing the saw from the workpiece. The correct brush grade must be used for proper operation of the brake. Use only the correct **MILWAUKEE** replacement brushes when servicing the tool.

Troubleshooting

If the blade does not follow a straight line:

- Teeth are dull. This is caused by hitting a hard object such as a nail or stone, dulling teeth on one side. The blade tends to cut to the side with the sharpest teeth.
- Shoe is out of line or bent
- Blade is bent
- Rip fence or guide is not being used

If the blade binds, smokes or turns blue from friction:

- Blade is dull
- Blade is on backwards
- Blade is bent
- Blade is dirty
- Workpiece is not properly supported
- Incorrect blade is being used

APPLICATIONS



WARNING!

To reduce the risk of injury, wear safety goggles or glasses with side shields. Unplug the tool before changing accessories or making adjustments.

Selecting Tilt-Lok™ Handle Positions (Figs. 14, 15 & 16)

The Tilt-Lok™ handle is a feature which allows the user to adjust the angle of the handle for optimum cutting positions. The Tilt-Lok™ handle has eight (8) detents which allow the handle to snap into position (Fig. 14). See "Adjusting Tilt-Lok™ Handle" for instructions on adjusting the handle. Refer to the chart below for suggested handle positions.

APPLICATION	SUGGESTED TILT-LOK POSITIONS*
For cuts made at or near waist level	Handle in lower positions (Fig. 15) allows for more leverage when pushing the saw through the workpiece.
For shallow cuts made at or near waist level	Handle in lower positions allows the user to apply increased downward force during shallow cuts.
For cuts made below the waist, as in flooring applications	Handle in higher positions (Fig. 16) reduce the amount of "bending over" by the user. Higher handle positions allow the user to apply an increased downward force on the saw.
For cuts made overhead, as in ceiling applications	Handle in higher positions reduce the amount of extended reach by the user for overhead cuts. Higher handle positions allow the user to apply an increased upward force on the saw.

* These are only suggested positions; the actual optimum cutting position may vary depending on the actual application and user preference.

Fig. 14



Fig. 15



Fig. 16



Cutting Large Panels (Fig. 17)

Large panels and long boards sag or bend if they are not correctly supported. If you attempt to cut without leveling and properly supporting the workpiece, the blade will tend to bind, causing KICKBACK.

Support large panels. Be sure to set the depth of the cut so that you only cut through the workpiece, not through the supports.



Ripping Wood

Ripping is cutting lengthwise with the grain. Select the proper blade for your job. Use a rip fence for rips 4" wide or less. To install the rip fence, slide the bar through the rip fence slot in either side of the shoe. The width of the cut is the distance from the inside of the blade to the inside edge of the rip fence. Adjust the rip fence for the desired width, and lock the setting by tightening the rip fence screws.

When ripping widths greater than 4", clamp or tack 1" lumber to workpiece and use the inside edge of the shoe as a guide.

Cross-Cutting Wood (Fig. 18)

Cross-cutting is cutting across the grain. Select the proper blade for your job. Advance the saw slowly to avoid splintering the wood.



WARNING!

To reduce the risk of electric shock, check work area for hidden pipes and wires before making pocket cuts.

Pocket Cutting (Fig. 19)

Pocket cuts are made in the middle of the workpiece when it can not be cut from an edge. We recommend using a Sawzall® reciprocating saw or jig saw for this type of cut. However, if you must use a circular saw to make a pocket cut, USE EXTREME CAUTION. To maintain control of the saw during pocket cutting, keep both hands on the saw (Fig. 19).



1. Beginning at a corner, line up the sight line with your cutting line. Tilt the saw forward, firmly fixing the front of the shoe on the workpiece. The blade should be just above cutting line, but not touching it. Raise the lower guard using the lower guard lever.
2. Pull the trigger, allowing the blade to come up to full speed. Using the front of the shoe as a hinge point, gradually lower the back end of the saw into the workpiece.
3. When the shoe rests flat against workpiece, release the lower guard lever. Advance the saw to the far corner. Release the trigger and allow the blade to come to a complete stop before removing it from workpiece. Repeat the above steps for each side of the opening. Use a Sawzall® reciprocating saw, jig saw or small hand saw to finish the corners if they are not completely cut through.

Cutting Masonry and Metal

Although MILWAUKEE Circular Saws are primarily designed and intended for cutting wood, they may also be used with abrasive cutting wheels or dry cutting diamond blades for cutting metal or masonry.

WARNING!

Only use abrasive cutting wheels with a maximum safe operating speed greater than the RPM marked on the tool's nameplate.

When cutting masonry, use a dry cutting diamond blade. Make successive passes at depths of less than 1/4" to achieve the desired depth. Cutting at a depth of more than 1/4" will damage the wheel. Frequently clean dust from air vents and guards. Always wear a dust mask.

When cutting light gauge sheet metal, use an aluminum oxide abrasive cutting wheel or an appropriate blade designed specifically for cutting metal. Set the depth of cut for 1/8" to 1/4" greater than the thickness of the material you are cutting. Protect everyone in the area from sparks.

WARNING!

Dust, chips and grit can cause the guard to hang up at any time. If the saw is used with an abrasive cutting wheel or dry cutting diamond blade, reserve and mark it for that use only. Before using it for wood cutting, return it to a MILWAUKEE service facility for cleaning and testing.

MAINTENANCE



WARNING!

To reduce the risk of injury, always unplug your tool before performing any maintenance. Never disassemble the tool or try to do any rewiring on the tool's electrical system. Contact a **MILWAUKEE** service facility for ALL repairs.

Maintaining Tools

Keep your tool in good repair by adopting a regular maintenance program. Before use, examine the general condition of your tool. Inspect guards, switches, tool cord set and extension cord for damage. Check for loose screws, misalignment, binding of moving parts, improper mounting, broken parts and any other condition that may affect its safe operation. If abnormal noise or vibration occurs, turn the tool off immediately and have the problem corrected before further use. Do not use a damaged tool. Tag damaged tools "DO NOT USE" until repaired (see "Repairs").

Under normal conditions, relubrication is not necessary until the motor brushes need to be replaced. After six months to one year, depending on use, return your tool to the nearest **MILWAUKEE** service facility for the following:

- Lubrication
- Brush inspection and replacement
- Mechanical inspection and cleaning (gears, spindles, bearings, housing, etc.)
- Electrical inspection (switch, cord, armature, etc.)
- Testing to assure proper mechanical and electrical operation

FIVE YEAR TOOL LIMITED WARRANTY

Every **MILWAUKEE** tool is tested before leaving the factory and is warranted to be free from defects in material and workmanship. **MILWAUKEE** will repair or replace (at **MILWAUKEE**'s discretion), without charge, any tool (including battery chargers) which examination proves to be defective in material or workmanship from five (5) years after the date of purchase. Return the tool and a copy of the purchase receipt or other proof of purchase to a **MILWAUKEE** Factory Service/Sales Support Branch location or **MILWAUKEE** Authorized Service Station, freight prepaid and insured. This warranty does not cover damage from repairs made or attempted by other than **MILWAUKEE** authorized personnel, abuse, normal wear and tear, lack of maintenance, or accidents.

Battery Packs, Flashlights, and Radios are warranted for one (1) year from the date of purchase.

THE REPAIR AND REPLACEMENT REMEDIES DESCRIBED HEREIN ARE EXCLUSIVE. IN NO EVENT SHALL **MILWAUKEE** BE LIABLE FOR ANY INCIDENTAL, SPECIAL, OR CONSEQUENTIAL DAMAGES, INCLUDING LOSS OF PROFITS.

THIS WARRANTY IS EXCLUSIVE AND IN LIEU OF ALL OTHER WARRANTIES, OR CONDITIONS, WRITTEN OR ORAL, EXPRESSED OR IMPLIED FOR MERCHANTABILITY OR FITNESS FOR PARTICULAR USE OR PURPOSE.

This warranty gives you specific legal rights. You may also have other rights that vary from state to state and province to province. In those states that do not allow the exclusion of implied warranties or limitation of incidental or consequential damages, the above limitations or exclusions may not apply to you. This warranty applies to the United States, Canada, and Mexico only.



WARNING!

To reduce the risk of injury, electric shock and damage to the tool, never immerse your tool in liquid or allow a liquid to flow inside the tool.

Cleaning

Clean dust and debris from vents. Keep the tool handles clean, dry and free of oil or grease. Use only mild soap and a damp cloth to clean your tool since certain cleaning agents and solvents are harmful to plastics and other insulated parts. Some of these include: gasoline, turpentine, lacquer thinner, paint thinner, chlorinated cleaning solvents, ammonia and household detergents containing ammonia. Never use flammable or combustible solvents around tools.

Repairs

If your tool is damaged, return the entire tool to the nearest service center.

ACCESSORIES



WARNING!

To reduce the risk of injury, always unplug the tool before attaching or removing accessories. Use only specifically recommended accessories. Others may be hazardous.

For a complete listing of accessories refer to your **MILWAUKEE** Electric Tool catalog or go on-line to www.milwaukeetool.com. To obtain a catalog, contact your local distributor or a service center.

RÈGLES GÉNÉRALES DE SÉCURITÉ POUR LES OUTILS ÉLECTRIQUE



AVERTISSEMENT!

LIRE SOIGNEUSEMENT TOUTES LES INSTRUCTIONS

Le non respect des instructions ci-après peut entraîner des chocs électriques, des incendies et/ou des blessures graves. Le terme «outil électrique» figurant dans les avertissements ci-dessous renvoie à l'outil électrique à alimentation par le réseau (à cordon) ou par batterie (sans fil).

CONSERVER CES INSTRUCTIONS

SÉCURITÉ DU LIEU DE TRAVAIL

1. **Maintenir la zone de travail propre et bien éclairée.** Les zones encombrées ou mal éclairées sont favorables aux accidents.
2. **Ne pas utiliser d'outil électrique dans une atmosphère explosive, telle qu'en en présence de liquides, de gaz ou de poussières inflammables.** Les outils électriques génèrent des étincelles qui peuvent enflammer les poussières ou les fumées.
3. **Tenir les enfants et les personnes non autorisées à l'écart pendant le fonctionnement d'un outil électrique.** Un manque d'attention de l'opérateur risque de lui faire perdre le contrôle de l'outil.

SÉCURITÉ ÉLECTRIQUE

4. **La fiche de l'outil électrique doit correspondre à la prise d'alimentation. Ne jamais modifier la fiche d'une manière quelconque. Ne pas utiliser d'adaptateur avec les outils électriques mis à la terre (à la masse).** Des fiches non modifiées et des prises d'alimentation assorties réduisent le risque de choc électrique.
5. **Éviter tout contact corporel avec des surfaces reliées à la masse ou à la terre telles que tuyaux, radiateurs, cuisinières et réfrigérateurs.** Un risque de choc électrique plus élevé existe si le corps est relié à la masse ou à la terre.
6. **Ne pas exposer les outils électriques à la pluie ou à l'humidité.** Le risque de choc électrique augmente si de l'eau s'infiltré dans un outil électrique.
7. **Prendre soin du cordon. Ne jamais utiliser le cordon pour transporter, tirer ou débrancher l'outil électrique. Tenir le cordon à l'écart de la chaleur, des huiles, des arêtes coupantes ou des pièces en mouvement.** Un cordon endommagé ou emmêlé présente un risque accru de choc électrique.
8. **Se procurer un cordon d'alimentation approprié en cas d'utilisation d'un outil électrique à l'extérieur.** L'utilisation d'un cordon d'alimentation pour usage extérieur réduit le risque de choc électrique.

SÉCURITÉ INDIVIDUELLE

9. **Être sur ses gardes, être attentif et faire preuve de bon sens en utilisant un outil électrique. Ne pas utiliser un outil électrique en cas de fatigue ou sous l'influence de drogues, d'alcool ou de médicaments.** Un instant d'inattention lors de l'utilisation d'un outil électrique peut entraîner des blessures graves.
10. **Utiliser un équipement de sécurité. Toujours porter des lunettes de protection.** Un équipement de sécurité comprenant masque anti-poussière, chaussures de sécurité anti-dérapantes, casque ou dispositif de protection anti-bruit peut, dans les circonstances appropriées, réduire le risque de blessure.
11. **Éviter tout démarrage accidentel de l'outil. S'assurer que le commutateur est en position OFF (Arrêt) avant de brancher l'outil.** Le port de l'outil avec un doigt sur le commutateur ou son branchement avec le commutateur en position ON (Marche) sont favorables aux accidents.
12. **Retirer toute clé de réglage avant de mettre l'outil sous tension.** Une clé laissée attachée sur une pièce mobile de l'outil électrique peut entraîner des blessures.

13. **Ne pas travailler à bout de bras. Bien garder un bon équilibre à tout instant.** Ceci permet de mieux préserver la maîtrise de l'outil électrique dans des situations imprévues.
14. **Porter des vêtements adéquats. Ne pas porter de vêtements amples ni de bijoux. Ne pas approcher les cheveux, vêtements et gants des pièces en mouvement.** Les vêtements amples, les bijoux ou les cheveux longs risquent d'être happés par les pièces en mouvement.
15. **Si des dispositifs sont prévus pour l'extraction et la récupération des poussières, vérifier qu'ils sont connectés et utilisés correctement.** L'utilisation de ces dispositifs peut réduire les risques liés aux poussières.

UTILISATION ET ENTRETIEN DE L'OUTIL ÉLECTRIQUE

16. **Ne pas forcer l'outil électrique. Utiliser l'outil électrique approprié à l'application considérée.** L'outil électrique adapté au projet considéré produira de meilleurs résultats, dans des conditions de sécurité meilleures, à la vitesse pour laquelle il a été conçu.
17. **Ne pas utiliser l'outil électrique si le commutateur ne le met pas sous ou hors tension.** Tout outil électrique dont le commutateur de marche-arrêt est inopérant est dangereux et doit être réparé.
18. **Débrancher la fiche de la prise d'alimentation et/ou la batterie de l'outil électrique avant d'effectuer des réglages, de changer d'accessoires ou de ranger l'outil.** De telles mesures de sécurité préventive réduisent le risque de mettre l'outil en marche accidentellement.
19. **Ranger les outils électriques inutilisés hors de la portée des enfants et ne pas laisser des personnes qui connaissent mal les outils électriques ou ces instructions utiliser ces outils.** Les outils électriques sont dangereux dans les mains d'utilisateurs non formés à leur usage.
20. **Entretien des outils électriques. S'assurer de l'absence de tout désalignement ou de grippage des pièces mobiles, de toute rupture de pièce ou de toute autre condition qui pourrait affecter le bon fonctionnement de l'outil électrique. En cas de dommages, faire réparer l'outil avant de l'utiliser de nouveau.** Les outils électriques mal entretenus sont à la source de nombreux accidents.
21. **Garder les outils de coupe affûtés et propres.** Les outils de coupe correctement entretenus et bien affûtés risquent moins de se gripper et sont plus faciles à manier.
22. **Utiliser cet outil électrique, les accessoires, les mèches, etc. conformément à ces instructions et de la façon prévue pour ce type particulier d'outil électrique, tout en prenant en compte les conditions de travail et le type de projet considérés.** L'utilisation de cet outil électrique pour un usage autre que l'usage prévu peut créer des situations dangereuses.

ENTRETIEN

23. **Faire effectuer l'entretien de l'outil électrique par un technicien qualifié qui n'utilisera que des pièces de rechange identiques.** La sécurité d'utilisation de l'outil en sera préservée.

RÈGLES DE SÉCURITÉ PARTICULIÈRE — SCIES CIRCULAIRE

- Entretenez les étiquettes et marqies di fabricant.** Les indications qu'elles contiennent sont précieuses. Si elles deviennent illisibles ou se détachent, faites-les remplacer gratuitement à un centre de service *MILWAUKEE* accrédité.
- DANGER! N'approchez pas les mains de la zone de coupe ou de la lame. Gardez l'autre main sur la poignée auxiliaire ou sur le carter du moteur.** En tenant l'outil avec vos deux mains, vous mettez celles-ci à l'abri de la lame.
Ne pas tendre la main vers le dessous de pièce de travail. Le garant n'offre aucune protection contre la lame sous la pièce de travail.
Régler la profondeur de coupe en fonction de l'épaisseur de la pièce de travail. Moins d'une dent complète des dents de la lame doit être visible sous la pièce de travail.
- Vérifier la fermeture correcte du garant inférieur avant chaque utilisation.** Ne pas utiliser la scie si le garant inférieur ne se déplace pas librement et ne se ferme pas instantanément. Ne jamais fixer ou attacher le garant inférieur en position ouverte. Si la scie tombe accidentellement, le garant inférieur risque d'être tordu. Relever le garant inférieur avec son levier et s'assurer qu'il se déplace librement et ne touche pas la lame ou toute autre pièce, quels que soient les angles et les profondeurs de coupe.
- Vérifiez l'état et le bon fonctionnement du ressort du protecteur inférieur. Si le protecteur ou son ressort ne fonctionnent pas correctement, il faut les réparer avant d'utiliser l'outil.** Le protecteur inférieur peut être lent à se refermer à cause de pièces endommagées, de dépôts collants ou d'une accumulation de débris.
- Vous ne devez escamoter manuellement le protecteur inférieur que pour des opérations spéciales comme le défonçage d'ouvertures en plein bois et les coupes de rainurage ou à onglets. Escamotez le protecteur inférieur au moyen de sa manette puis, dès que la lame attaque le matériau, lâchez le protecteur.** Pour toute autre tâche de sciage, laissez le protecteur inférieur fonctionner automatiquement.
- Assurez-vous toujours que le protecteur inférieur couvre bien la lame avant de déposer l'outil sur l'établi ou sur le sol.** Si la lame n'est pas protégée et n'a pas fini de tourner, elle entraînera la scie vers l'arrière en coupant tout sur son passage. Soyez conscient du temps nécessaire pour que la lame s'arrête après que vous avez lâché la détente.
- NE JAMAIS maintenir la pièce dont la coupe est en cours avec les mains ou contre la jambe. Fixer la pièce de travail à une plate-forme stable.** Il est important de supporter correctement la pièce pour minimiser l'exposition du corps, le grippage de la lame ou la perte de contrôle de cette dernière.
- Tenir l'outil par les surfaces de prise isolées si, au cours des travaux, l'outil de coupe risque d'entrer en contact avec des fils cachés ou avec son propre cordon.** Le contact avec un fil sous tension met les parties métalliques exposées de l'outil sous tension, ce qui infligera un choc électrique à l'opérateur.
- Lorsque que vous refendez, utilisez toujours un guide longitudinal.** Cela améliore la précision de la coupe et réduit le risque de coincement de la lame.
- Employez toujours une lame de diamètre approprié et dont le trou central est de forme correcte (angulaire ou ronde).** Une lame dont le trou ne correspond pas à la forme du moyeu de fixation de la scie risque de tourner de façon excentrique et de vous faire perdre la maîtrise de l'outil.
- N'utilisez jamais un boulon ou une rondelle de lame endommagé ou incorrect.** Les boulons et rondelles de fixation de la lame sont conçus spécialement pour votre scie et jouent un rôle essentiel dans le bon fonctionnement et la sécurité de l'outil.
- AVERTISSEMENT!** La poussière dégagée par perçage, sclage, perçage et autres travaux de construction contient des substances chimiques reconnues comme pouvant causer le cancer, des malformations congénitales ou d'autres troubles de reproduction. Voici quelques exemples de telles substances :
 - Le plomb contenu dans la peinture au plomb.
 - Le silice cristallin contenu dans la brique, le béton et divers produits de maçonnerie.
 - L'arsenic et le chrome servant au traitement chimique du bois.Les risques associés à l'exposition à ces substances varient, dépendant de la fréquence des travaux. Afin de minimiser l'exposition à ces substances chimiques, assurez-vous de travailler dans un endroit bien aéré et d'utiliser de l'équipement de sécurité tel un masque antipoussière spécifiquement conçu pour la filtration de particules microscopiques.
- Causes du retour d'outil et prévention par l'utilisateur :**

Le « retour d'outil » est une brusque réaction au pincement, au coincement ou au désalignement de la lame de scie, qui amène la scie à sauter hors du matériau vers l'utilisateur.

Lorsque la lame est pincée ou coincée par le rétrécissement du trait de scie, la lame se bloque et la réaction du moteur projette l'outil avec force vers l'utilisateur.

Si la lame se trouve désalignée dans le trait de scie, ses dents arrière peuvent mordre dans le dessus du matériau, ce qui amène la lame à sortir brutalement du trait de scie en direction de l'utilisateur.

Un **REBOND** est le résultat d'une mauvaise utilisation de la scie et/ou de procédures ou de conditions d'utilisation incorrectes et il peut être évité en prenant les précautions appropriées suivantes :
- Maintenir une prise ferme des deux mains sur la scie et positionner les bras de sorte à résister aux rebonds éventuels. Se maintenir d'un côté ou de l'autre de la lame et non pas dans le prolongement de celle-ci.** Un rebond peut provoquer un saut en arrière de la lame mais le choc en retour peut être contrôlé par l'opérateur si les précautions correctes sont prises.
- Lorsque la lame se coince ou que vous interrompez une coupe pour une raison quelconque, lâchez la détente et maintenez la scie immobile dans le trait de scie jusqu'à ce que la lame s'arrête complètement. Ne cherchez jamais à sortir la scie du matériau ou à reculer la scie pendant que la lame est encore en mouvement, car vous vous exposeriez à un REcul.** Si la lame a tendance à se coincer, recherchez-en la cause et apportez les correctifs appropriés.
- Lorsque vous redémarrez l'outil dans un trait de scie, centrez la lame dans celui-ci et assurez-vous que les dents de la lame ne mordent pas dans le matériau.** Si la lame est coincée, l'outil risque de reculer ou de sauter en arrière au moment du démarrage de l'outil.
- Soutenez adéquatement les grands panneaux afin de réduire au minimum le risque de pincement de la lame et de REcul.** Les grands panneaux ont tendance à s'affaisser sous leur propre poids. Placez des points d'appui sous le panneau des deux côtés, près de la ligne de coupe et près des bords du panneau.

18. **N'utilisez jamais une lame émoussée ou endommagée.** Une lame mal affûtée ou mal avoyée produit un trait de scie étroit qui donne lieu à un frottement excessif, au coincement de la lame et à un REÇUL.

19. **Les manettes de profondeur et d'angle de coupe doivent être bien bloquées.** Si ces manettes se débloquent pendant la coupe, il peut en

MISE À LA TERRE

AVERTISSEMENT!

Si le fil de mise à la terre est incorrectement raccordé, il peut en résulter des risques de choc électrique. Si vous n'êtes pas certain que la prise dont vous servez est correctement mise à la terre, faites-la vérifier par un électricien. N'altérez pas la fiche du cordon de l'outil. N'enlevez pas de la fiche, la dent qui sert à la mise à la terre. N'employez pas l'outil si le cordon ou la fiche sont en mauvais état. Si tel est le cas, faites-les réparer dans un centre-service MILWAUKEE accrédité avant de vous en servir. Si la fiche du cordon ne s'adapte pas à la prise, faites remplacer la prise par un électricien.

Outils mis à la terre :

Outils pourvus d'une fiche de cordon à trois dents

Les outils marqués « Mise à la terre requise » sont pourvus d'un cordon à trois fils dont la fiche a trois dents. La fiche du cordon doit être branchée sur une prise correctement mise à la terre (voir Figure A). De cette façon, si une défektivité dans le circuit électrique de l'outil survient, le relais à la terre fournira un conducteur à faible résistance pour décharger le courant et protéger l'utilisateur contre les risques de choc électrique.

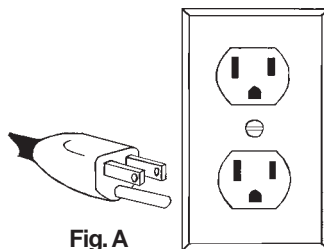


Fig. A

La dent de mise à la terre de la fiche est reliée au système de mise à la terre de l'outil via le fil vert du cordon. Le fil vert du cordon doit être le seul fil raccordé à un bout au système de mise à la terre de l'outil et son autre extrémité ne doit jamais être raccordée à une borne sous tension électrique.

Votre outil doit être branché sur une prise appropriée, correctement installée et mise à la terre conformément aux codes et ordonnances en vigueur. La fiche du cordon et la prise de courant doivent être semblables à celles de la Figure A.

Outils pourvus d'une fiche de cordon à deux dents

Les outils marqués « Double Isolation » n'ont pas besoin d'être raccordés à la terre. Ils sont pourvus d'une double isolation conforme aux exigences de l'OSHA et satisfont aux normes de l'Underwriters Laboratories, Inc., de l'Association canadienne de normalisation (ACNOR) et du « National Electrical Code » (code national de l'électricité). Les outils à double isolation peuvent être branchés sur n'importe laquelle des prises à 120 volt illustrées ci-contre Figure B et C.

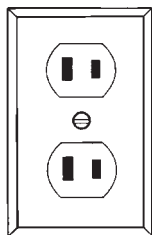


Fig. B

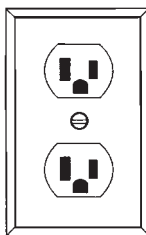


Fig. C

CORDONS DE RALLONGE

Si l'emploi d'un cordon de rallonge est nécessaire, un cordon à trois fils doit être employé pour les outils mis à la terre. Pour les outils à double isolation, on peut employer indifféremment un cordon de rallonge à deux ou trois fils. Plus la longueur du cordon entre l'outil et la prise de courant est grande, plus le calibre du cordon doit être élevé. L'utilisation d'un cordon de rallonge incorrectement calibré entraîne une chute de voltage résultant en une perte de puissance qui risque de détériorer l'outil. Reportez-vous au tableau ci-contre pour déterminer le calibre minimum du cordon.

Moins le calibre du fil est élevé, plus sa conductivité est bonne. Par exemple, un cordon de calibre 14 a une meilleure conductivité qu'un cordon de calibre 16. Lorsque vous utilisez plus d'une rallonge pour couvrir la distance, assurez-vous que chaque cordon possède le calibre minimum requis. Si vous utilisez un seul cordon pour brancher plusieurs outils, additionnez le chiffre d'intensité (ampères) inscrit sur la fiche signalétique de chaque outil pour obtenir le calibre minimal requis pour le cordon.

Directives pour l'emploi des cordons de rallonge

- Si vous utilisez une rallonge à l'extérieur, assurez-vous qu'elle est marquée des sigles « W-A » (« W » au Canada) indiquant qu'elle est adéquate pour usage extérieur.
- Assurez-vous que le cordon de rallonge est correctement câblé et en bonne condition. Remplacez tout cordon de rallonge détérioré ou faites-le remettre en état par une personne compétente avant de vous en servir.
- Tenez votre cordon de rallonge à l'écart des objets ranchants, des sources de grande chaleur et des endroits humides ou mouillés.







Calibres minimaux recommandés pour les cordons de rallonge*

Fiche signalétique Ampères	Longueur du cordon de rallonge (m)					
	7,6	15,2	22,8	30,4	45,7	60,9
0 - 5,0	16	16	16	14	12	12
5,1 - 8,0	16	16	14	12	10	--
8,1 - 12,0	14	14	12	10	--	--
12,1 - 15,0	12	12	10	10	--	--
15,1 - 20,0	10	10	10	--	--	--

* Basé sur une chute de voltage limite de 5 volts à 150% de l'intensité moyenne de courant.

LISEZ ATTENTIVEMENT CES INSTRUCTIONS ET CONSERVEZ-LES POUR LES CONSULTER AU BESOIN.

Pictographie

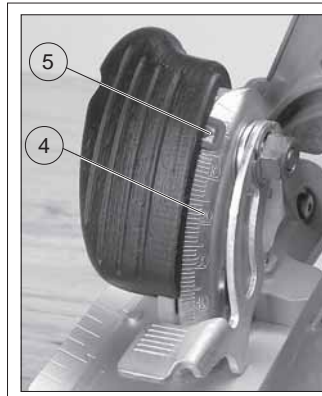
	Double Isolation
	l'Association canadienne de normalisation (ANCOR)
	Underwriters Laboratories Inc.
	Tension CA et CD
	Tension CA seul.
	Ampères
n_o <u>xxxx</u> /min.	Tours-minute à vide (RPM)

Spécifications

No de Cat.	Volts	T/Min. à vide	Calibre de lame	Arbre	Profondeur de coupe à 90°	Profondeur de coupe à 45°
6390-20	120 CA/CD	5 800	184 mm (7-1/4")	16 mm (5/8")	0 à 63 mm (0 à 2-15/32")	0 à 46 mm (0 à 1-13/16")
6394	120 CA Seul	5 800	184 mm (7-1/4")	16 mm (5/8")	0 à 63 mm (0 à 2-15/32")	0 à 46 mm (0 à 1-13/16")

DESCRIPTION FONCTIONNELLE

- Poignée Tilt-Lok™
- Bouton de déclenchement du levier de la poignée
- Levier de déclenchement de la poignée
- Échelle du biseau
- Pointeur du biseau
- Levier de réglage du biseau
- Bouton de verrouillage de la broche
- Jauge de réglage de la profondeur (non illustrée)
- Détente
- Bouton de dégagement du cordon (No de cat. 6394 seul.)
- Levier régleur de profondeur
- Poignée avant
- Ligne de vue
- Guide de coupe
- Garde-lame inférieur
- Rebord de la lame
- Boulon de lame
- Lame
- Semelle
- Levier du garde-lame inférieur
- Garde-lame supérieur
- Cordon à verrou Positive-Lok® (No de cat. 6394 seul.)



No de cat. 6394

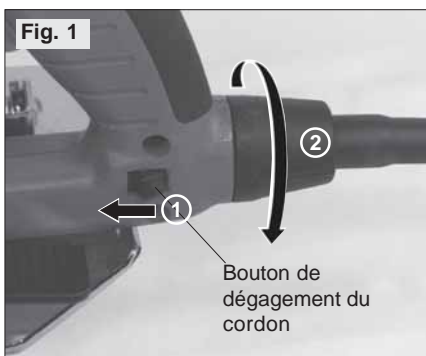
MONTAGE DE L'OUTIL

AVERTISSEMENT!

Pour minimiser les risques de blessures, débranchez toujours l'outil avant d'y faire des réglages, d'y attacher ou d'en enlever les accessoires. L'usage d'accessoires autres que ceux qui sont spécifiquement recommandés pour cet outil peut comporter des risques.

Retrait et remplacement du cordon à verrou Positive-Lok® (Fig. 1) No de Cat. 6394

Le cordon Positive-Lok® exclusif à **MILWAUKEE** est facile à changer ou remplacer sur place. Le verrou Positive-Lok® maintient fermement le cordon fixé à l'outil.



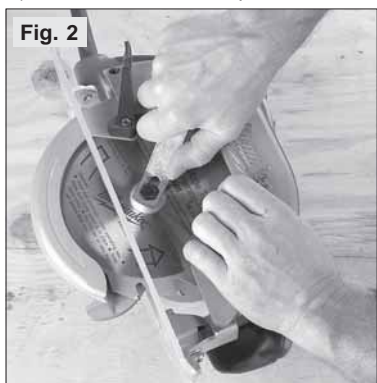
1. Pour retirer le cordon à verrou Positive-Lok®, poussez le bouton de dégagement à la position indiquée et faites tourner le noeud du cordon 1/4 de tour vers la gauche, puis retirez le cordon.
2. Pour installer le cordon à verrou Positive-Lok®, alignez la rainure et la clavette du connecteur et du logement et poussez le connecteur à fond dans le logement de l'outil. Tournez le cordon 1/4 de tour à droite et le bouton de dégagement va s'enclencher en position de verrouillage.

Choix des lames

Utilisez toujours des lames bien aiguisées. Lorsqu'elles sont émoussées, les lames imposent une surcharge à l'outil et augmentent les risques de RECUL (voir page 18). N'employez que les lames dimensionnées pour une vitesse de rotation plus grande que le régime (t/min.) à vide indiqué sur la plaque du fabricant apposée sur l'outil. Lisez les instructions du fabricant avant d'utiliser une lame.

Installation et retrait de la lame (Figs. 2 et 3)

1. Débranchez l'outil pour installer ou retirer la lame.
2. Placez la scie sur une surface plate, la lame vers le haut. Pendant que vous maintenez le bouton de verrouillage à fond, dévissez (sens inverse-horaire) le boulon du pivot à l'aide de la clé de qui accompagne l'outil (Fig. 2). Retirez l'écrou ainsi que le rebord de la lame.



3. Relevez le garde-lame inférieur en poussant le levier vers le haut. Retirez la lame du pivot. Débarrassez toujours le pivot, le garde-lame supérieur et le garde-lame inférieur de la saleté et du bran de scie.

4. Pour installer une lame, placez la lame sur le pivot, les dents pointant dans la même direction que la flèche sur le garde-lame inférieur (Fig. 3). Abaissez le garde-lame inférieur.



5. Installez le rebord de la lame sur le montant et resserrez l'écrou manuellement.
6. Serrez le boulon à fond à l'aide de la clé de pendant que vous retenez le pivot avec le bouton de verrouillage.

Réglage de profondeur (Figs. 4 et 5)

1. Débranchez l'outil.
2. Afin de régler la profondeur de la coupe, tenez la scie par la poignée Tilt-Lok™ et libérez le levier de réglage de la profondeur en le soulevant et en l'éloignant du patin (Fig. 4).



3. Faites monter ou descendre le patin jusqu'à ce qu'il se trouve à la position désirée. Des graduations inscrites tout les 1/4" (6 mm) sur la partie intérieure du dispositif de sécurité supérieur, vous permettent de régler la profondeur. Pour régler correctement la profondeur, la lame ne doit pas dépasser de plus de 1/4" (6 mm) du matériau coupé (Fig. 5).



4. Faites pivoter le levier de réglage de la profondeur vers le patin puis poussez le vers le bas afin de le bloquer.

Vis de réglage de biseau (Figs. 6 et 7)

1. Débranchez l'outil.
2. Afin de régler l'angle de la coupe, tenez la scie par la poignée Tilt-Lok™ et libérez le levier de réglage du biseau en le soulevant et en le rapprochant de la lame (Fig. 6).



3. Empoignez le levier avant, puis faites pivoter la scie jusqu'à l'angle défini par les graduations de l'échelle du biseau, tout en la tenant par la poignée Tilt-Lok™ (Fig. 7).



4. Écartez le levier réglage de profondeur de la lame et abaissez le p pour maintenir la scie à la position désirée.

Réglage de l'angle de la poignée Tilt-Lok™ (Figs. 8 et 9)

Cette scie circulaire est munie d'une poignée réglable. Grâce au dispositif Tilt-Lok™, l'utilisateur peut régler la scie afin d'obtenir des angles d'attaque optimum.

1. Débranchez l'outil.
2. Appuyez sur le bouton de déclenchement du levier de la poignée et maintenez-le enfoncé.
3. Libérez le levier de déclenchement de la poignée en le soulevant et en l'éloignant de la poignée Tilt-Lok™ (Fig. 8).



4. Afin de régler la position de la poignée Tilt-Lok™, empoignez la poignée avant et faites pivoter la poignée Tilt-Lok™ jusqu'à ce que vous ayez atteint l'angle défini par les graduations de réglage (Fig. 9). Le dispositif Tilt-Lok™ est équipé de huit (8) crans de positionnement instantanés. Laissez les cliquets se mettre en place tout seuls.



NB : Les options de positionnement de la poignée Tilt-Lok™ varient selon le réglage de la profondeur. Si vous désirez obtenir de plus amples informations, consultez la section « Réglage de la profondeur ».

5. Appuyez sur le levier de verrouillage jusqu'à ce qu'il se remette automatiquement en place dans la poignée.

AVERTISSEMENT!

N'utilisez pas la scie lorsque le bouton de déclenchement de la poignée est enfoncé ou lorsque la poignée n'est pas verrouillée.

NB : La scie ne fonctionnera pas si le levier de déclenchement de la poignée n'est pas bloqué.

AVERTISSEMENT!

Si la poignée « Tilt Lok™ » peut être déplacée alors que le levier est en position de verrouillage, n'utilisez pas la scie. Envoyez immédiatement la scie circulaire à un centre-service MILWAUKEE pour la faire réparer.

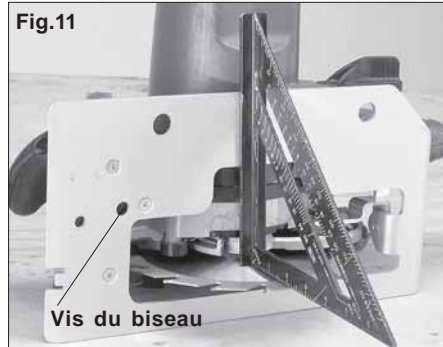
Comment fixer la lame sur le patin (Figs. 10 et 11)

Le patin a été réglé sur 90 degrés en usine. Vérifiez régulièrement la lame pour vous assurer qu'elle se trouve à un angle de 90 degrés par rapport au patin.

1. Débranchez l'outil.
2. Réglez le pointeur du biseau sur zéro (Fig. 10).



- Afin de vous assurer que la lame est à 90° par rapport au patin : placez la scie du côté de la lame, escamotez le dispositif de protection inférieur et vérifiez le degré de l'angle à l'aide d'une équerre posée entre la lame et le patin (Fig. 11).
- Afin de régler l'angle, libérez le levier de réglage du biseau en le soulevant et en le rapprochant de la lame. Réglez la vis du biseau jusqu'à ce que la lame soit à un angle de 90 degrés par rapport au patin.
- Assurez-vous que le pointeur du biseau est bien sur 0. Dans le cas contraire, desserrez les deux vis de la poignée avant et remettez le pointeur sur 0.



MANIEMENT



AVERTISSEMENT!

Pour minimiser les risques de blessures, portez des lunettes à coques latérales. Débranchez l'outil avant de changer les accessoires ou d'effectuer des réglages.

Causes du retour d'outil et prévention par l'utilisateur :

Le « retour d'outil » est une brusque réaction au pincement, au coincement ou au désalignement de la lame de scie, qui amène la scie à sauter hors du matériau vers l'utilisateur.

Lorsque le trait de scie, ou l'entaille de coupe se resserre et que la lame coince, la réaction du moteur fait reculer rapidement l'appareil vers l'utilisateur.

Si la lame se trouve désalignée dans le trait de scie, ses dents arrière peuvent mordre dans le dessus du matériau, ce qui amène la lame à sortir brutalement du trait de scie en direction de l'utilisateur.

Le **RECU**L résulte d'une utilisation incorrecte de l'outil ou de mauvaises conditions d'utilisation. On peut le prévenir en prenant les précautions adéquates ci-après :

- Tenez fermement la scie avec les deux mains et placez votre corps et vos bras de manière à pouvoir résister à la force d'un RECU**L éventuel. L'utilisateur est capable de maîtriser un RECU s'il a pris les précautions adéquates.
- Lorsque la lame se coince ou que vous interrompez une coupe pour une raison quelconque, lâchez la détente et maintenez la scie immobile dans le trait de scie jusqu'à ce que la lame s'arrête complètement. Ne cherchez jamais à sortir la scie du matériau ou à reculer la scie pendant que la lame est encore en mouvement, car vous vous exposeriez à un RECU**L. Si la lame a tendance à se coincer, recherchez-en la cause et apportez les correctifs appropriés.
- Lors du redémarrage d'une scie dans l'atelier, centrez tout d'abord la lame dans le trait de scie, ou dans l'entaille et assurez-vous que les dents de la scie ne mordent pas le matériau.** Si la lame est coincée lors du redémarrage, elle peut reculer ou rebondir.
- Soutenez adéquatement les grands panneaux afin de réduire au minimum le risque de pincement de la lame et de RECU**L. Les grands panneaux ont tendance à s'affaisser sous leur propre poids. Placez des points d'appui sous le panneau des deux côtés, près de la ligne de coupe et près des bords du panneau.
- N'utilisez jamais une lame émoussée ou endommagée.** Une lame mal affûtée ou mal avoyée produit un trait de scie étroit qui donne lieu à un frottement excessif, au coincement de la lame et à un RECUL.
- Les manettes de profondeur et d'angle de coupe doivent être bien bloquées.** Si ces manettes se débloquent pendant la coupe, il peut en résulter un coincement et un retour d'outil.
- Soyez particulièrement prudent lorsque vous découpez une ouverture dans un cloison existante ou tout autre matériau dont l'arrière n'est pas visible.** La lame pourrait rencontrer un objet dur, ce qui provoquerait un RECUL.

- Régalez la profondeur de coupe à seulement 3mm - 6mm (1/8" - 1/4") de plus que l'épaisseur du matériau.** Moins la lame est exposée, moins il y a risque de coincement. Avant d'effectuer une coupe, assurez-vous que les réglages de profondeur et de biseau sont bien serrés.
- Méfiez-vous des matériaux bitumineux, noueux, humides ou gondolés.** Ce sont là des matériaux susceptibles d'occasionner le coincement de la lame et le mouvement de recul. Ne refendez pas les matériaux gondolés et évitez les clous.
- Employez un guide de refente ou une règle-guide pour refendre.** Ces guides améliorent le contrôle et réduisent les risques de coincement.
- Soyez vigilant.** La moindre distraction peut occasionner le gauchissement ou le coincement. Méfiez-vous des coupes à répétition qui peuvent engendrer des mouvements nonchalants.

Règles générales d'opération (Figs. 12 et 13)

Fixez solidement le matériau sur un chevalet ou un banc. Voir « Applications » pour connaître la bonne façon d'appuyer la pièce à ouvrir selon la situation. Regardez l'exemple d'application ci-dessous (Fig. 12).



- Tracez une ligne de coupe. Placez le devant de la semelle de la scie sur le bord de la pièce sans qu'il y ait contact avec la lame. Maintenez la poignée Tilt-Lok™ d'une main et la poignée avant de l'autre (Fig. 13).



- Alignez la ligne de vue avec la ligne de coupe. Mettez les bras et le corps en position de résister au mouvement de RECUL. Appuyez sur la détente et laissez le moteur atteindre son plein régime avant d'entamer la coupe.

3. Durant la coupe, gardez la semelle de l'outil à plat sur le matériau et conservez une bonne emprise. Ne forcez pas l'outil en avant pour éviter de provoquer un mouvement de RECUL.
4. Lorsque vous effectuez une coupe partielle, que vous recommencez à mi-coupe ou changez de direction, laissez la lame s'arrêter complètement avant de reprendre. Pour reprendre la coupe, centrez la lame dans l'entaille, reculez la scie de quelques pouces et appuyez sur la détente pour réengager lentement la lame.
5. Si la lame reste coincée, gardez une bonne prise et relâchez immédiatement la détente. Maintenez la scie immobile dans le trait de scie jusqu'à ce que la lame s'arrête complètement.
6. Lorsque la coupe est terminée, assurez-vous que le garde-lame inférieur se referme et que la lame s'arrête complètement avant de poser la scie.

Frein Électronique (No de cat. 6394)

Modèles spécifiques est pourvu d'un frein électronique. Le frein arrête la lame dès que vous relâchez la détente et vous permet de poursuivre votre travail. La lame s'arrête généralement en deux secondes. Cependant, il peut y avoir un délai entre le moment où vous relâchez la détente et l'application du frein. Occasionnellement, le frein peut manquer. Si le frein manque fréquemment, faites vérifier la scie à un centre-service MILWAUKEE accrédité. Le frein n'est pas un substitut du garde-lame. Vous devez donc attendre que la lame soit complètement arrêtée avant de retirer la scie de l'entaille. Pour que le frein fonctionne correctement, il

faut employer des balais de qualité appropriée. Lorsque vous procédez à la remise en état de l'outil, n'employez que les balais de rechange MILWAUKEE.

Dépiage des dérangements

Si la lame ne suit pas une ligne droite :

- Les dents sont émoussées sur un côté. Cela est causé par le contact avec des objets durs, une pierre ou un clou, qui ont usé les dents sur un côté. La lame coupe alors du côté où les dents sont intactes.
- La semelle est hors ligne ou inclinée
- La lame est gauchie
- Défaut d'utiliser le guide-refente ou le guide-coupe

Si la lame reste coincée, fume ou devient bleuie par la friction :

- Les dents sont émoussées
- La lame est posée dans le mauvais sens
- La lame est gauchie
- La lame est encrassée
- Le matériau n'est pas correctement supporté
- Défaut d'utiliser la bonne lame

APPLICATIONS



AVERTISSEMENT!

Pour minimiser les risques de blessures, portez de lunettes à coques latérales. Débranchez l'outil avant de charger les accessoires ou d'effectuer des réglages.

Sélection des différentes positions de la poignée Tilt-lok™ (Figs. 14, 15 et 16)

Grâce aux réglages de la poignée Tilt-Lok™, l'utilisateur peut obtenir des angles d'attaque optimum. Elle est équipée de huit (8) crans de positionnement rapide (Fig. 14). Consultez la section intitulée « Réglage de la poignée Tilt-lok™ » pour obtenir de plus amples informations sur son utilisation. Le tableau suivant vous indique différentes positions d'utilisation de la poignée.

UTILISATION	POSITIONS DE LA POIGNÉE TILT-LOK™ SUGGÉRÉES *
Pour les coupes effectuées au niveau ou près de la taille.	Lorsque la poignée est en position basse (Fig. 15) l'utilisateur peut exercer une pression plus forte lors de la coupe.
Pour les coupes minces effectuées au niveau ou près de la taille.	Lorsque la poignée est en position basse, l'utilisateur peut exercer une pression descendante plus forte lors d'une coupe peu profonde et un meilleur contrôle de la scie.
Pour les coupes effectuées en dessous du niveau de la taille, par terre par exemple.	Lorsque la poignée est en position haute (Fig. 16), l'utilisateur n'est pas obligé de se « pencher » autant et il peut exercer une pression descendante plus forte.
Pour les coupes effectuées au dessus de la tête, au plafond par exemple.	Lorsque la poignée est en position haute, l'utilisateur peut effectuer des coupes au dessus du niveau de la tête sans avoir à tendre autant le bras. Une telle position permet aussi d'exercer une pression plus forte vers le haut.

* Ces conseils ne sont que des suggestions ; la position de coupe optimale dépend en fait de l'utilisation de la scie et des préférences de l'utilisateur.

Fig. 14



Fig. 15



Fig. 16



Coupe des grands panneaux (Fig. 17)

Les grands panneaux et les planches longues s'affaissent et se plient s'ils ne sont pas correctement supportés. Si vous essayez de les couper sans les placer de niveau sur un appui, la lame de la scie aura tendance à se coincer, ce qui provoquera un mouvement de recul de la scie.

Appuyez les panneaux tel qu'indiqué. Assurez-vous de régler la profondeur de coupe pour ne tailler qu'à travers le matériau et non à travers les appuis.



Refente du bois

Refendre, c'est tailler le long du grain du bois. Choisissez une lame appropriée à la tâche. Servez-vous d'un guide de refente pour les coupes de 102 mm (4") de largeur ou moins. Pour installer le guide de refente, glissez la tige du guide dans l'une des rainures pratiquées sur chaque côté de la semelle de la scie. La largeur de la coupe est la distance entre l'intérieur de la lame et le bord intérieur de l'extrémité du guide, tel qu'indiqué. Réglez le guide à la largeur désirée et fixez le réglage en serrant les boulons du guide de refente.

Lorsque vous effectuez une refente plus large que 102 mm (4"), clouez une planche de 25 mm (1") (sur le matériau et servez-vous en pour guider le bord intérieur de la semelle durant la coupe.

Coupe transversale du bois (Fig. 18)

Une coupe transversale est une coupe à travers le grain du bois. Choisissez une lame appropriée à la tâche. Avancez la scie lentement pour éviter de déchirer ou d'arracher les fibres du bois.



AVERTISSEMENT!

Avant d'entamer une coupe en plongée, afin de réduire le risque de choc électrique, inspectez l'aire de coupe, pour en déceler les conduits et les fils électriques.

Coupe borgne (Fig. 19)

Une coupe borgne est une coupe effectuée pour pratiquer une ouverture au milieu d'un matériau lorsqu'il est impossible de commencer la coupe au bord. Nous recommandons l'emploi d'un passe-partout Sawzall® ou d'une scie sauteuse pour ce genre de coupe. Toutefois, si vous êtes dans l'obligation d'employer une scie circulaire, SOYEZ PRUDENT. Afin de

pouvoir contrôler la scie durant une coupe borgne, maintenez-la avec deux mains (Fig. 19).



1. En commençant à un angle, alignez le guide-coupe sur la ligne de coupe. Inclinez la scie en avant en appuyant fermement le devant de la semelle sur le matériau. La lame devrait être directement au-dessus de la ligne de coupe mais sans toucher au matériau. Relevez le garde-lame inférieur à l'aide du levier du garde-lame inférieur.
2. Appuyez sur la détente et laissez la lame atteindre son plein régime. En vous servant du devant de la semelle comme point d'appui, abaissez graduellement l'arrière de la scie pour que la lame s'enfonce dans le matériau.
3. Lorsque la semelle est à plat sur le matériau, relâchez le levier du garde-lame inférieur. Avancez la scie jusqu'à l'angle de la ligne de coupe. Relâchez la détente et laissez la lame s'arrêter complètement avant de la retirer de l'entaille. Répétez le procédé pour tailler chacun des côtés de l'ouverture. Utilisez un passe-partout Sawzall®, une scie sauteuse ou une petite scie à main pour finir la coupe dans les coins, si nécessaire.

Coupe dans la maçonnerie ou les métaux

Même si elles sont surtout destinées à couper le bois, les scies circulaires MILWAUKEE peuvent également être utilisées pour tailler dans la maçonnerie ou le métal à l'aide de disques abrasifs ou disque de coupe en carbure de silicium.



AVERTISSEMENT!

N'employez que les disques abrasifs dimensionnés pour une vitesse de rotation plus grande que le régime (t/min.) indiqué sur la fiche signalétique de l'outil.

Lorsque vous coupez dans la maçonnerie, utilisez un disque de coupe en carbure de silicium. Faites successivement des rainures de 6 mm (1/4") jusqu'à ce que la profondeur désirée soit atteinte. Si vous faites des rainures plus profondes que 6 mm (1/4") à la fois, vous risquez d'endommager le disque. Nettoyez fréquemment les événements et les garde-lame pour enlever la poussière. Portez un masque antipoussière.

Lorsque vous taillez dans la tôle mince, utilisez un disque de corindon. Réglez la profondeur de coupe entre 3 mm et 6 mm (1/8" et 1/4") de plus que l'épaisseur du matériau à couper. Protégez des étincelles tous ceux qui se trouvent dans l'aire de travail.



AVERTISSEMENT!

La poussière, les rognures et le gravier peuvent causer le blocage du garde-lame en position élevée. Si la scie est employée avec un disque abrasif ou disque de coupe en carbure de silicium, marquez-la et réservez-la pour cet usage seulement. Avant de vous en servir à nouveau pour couper du bois, retournez-la à un centre de service MILWAUKEE accrédité pour un nettoyage et une mise au point.

MAINTENANCE



AVERTISSEMENT!

Pour minimiser les risques de blessures, débranchez toujours l'outil avant d'y effectuer des travaux de maintenance. Ne faites pas vous-même le démontage de l'outil ni le rebobinage du système électrique. Consultez un centre de service **MILWAUKEE** accrédité pour toutes les réparations.

Entretien de l'outil

Gardez l'outil en bon état en adoptant un programme d'entretien ponctuel. Avant de vous en servir, examinez son état en général. Inspectez-en la garde, interrupteur, cordon et cordon de rallonge pour en déceler les défauts. Vérifiez le serrage des vis, l'alignement et le jeu des pièces mobiles, les vices de montage, bris de pièces et toute autre condition pouvant en rendre le fonctionnement dangereux. Si un bruit ou une vibration insolite survient, arrêtez immédiatement l'outil et faites-le vérifier avant de vous en servir de nouveau. N'utilisez pas un outil défectueux. Fixez-y une étiquette marquée « HORS D'USAGE » jusqu'à ce qu'il soit réparé (voir « Réparations »).

Normalement, il ne sera pas nécessaire de lubrifier l'outil avant que le temps ne soit venu de remplacer les balais. Après une période pouvant aller de 6 mois à un an, selon l'usage, retournez votre outil à un centre de service **MILWAUKEE** accrédité pour obtenir les services suivants:

- Lubrification
- Inspection et remplacement des balais
- Inspection et nettoyage de la mécanique (engrenages, pivots, coussinets, boîtier etc.)
- Inspection électrique (interrupteur, cordon, induit etc.)
- Vérification du fonctionnement électromécanique

GARANTIE LIMITÉE DE L'OUTIL DE CINQ ANS

Tous les outils **MILWAUKEE** sont testés avant de quitter l'usine et sont garantis exempts de vice de matériau ou de fabrication. **MILWAUKEE** réparera ou remplacera (à la discrétion de **MILWAUKEE**), sans frais, tout outil (y compris les chargeurs de batterie) dont l'examen démontre le caractère défectueux du matériau ou de la fabrication dans les cinq (5) ans suivant la date d'achat. Retourner l'outil et une copie de la facture ou de toute autre preuve d'achat à une branche Entretien usine/Assistance des ventes de l'établissement **MILWAUKEE** ou à un centre d'entretien agréé par **MILWAUKEE**, en port payé et assuré. Cette garantie ne couvre pas les dommages causés par les réparations ou les tentatives de réparation par quiconque autre que le personnel agréé par **MILWAUKEE**, les utilisations abusives, l'usure normale, les carences d'entretien ou les accidents.

Les batteries, les lampes de poche et les radios sont garanties pour un (1) an à partir de la date d'achat.

LES SOLUTIONS DE RÉPARATION ET DE REMPLACEMENT DÉCRITES PAR LES PRÉSENTES SONT EXCLUSIVES. **MILWAUKEE** NE SAURAIT ÊTRE RESPONSABLE, EN AUCUNE CIRCONSTANCE, DES DOMMAGES ACCESSOIRES, SPÉCIAUX OU INDIRECTS, Y COMPRIS LES MANQUES À GAGNER.

CETTE GARANTIE EST EXCLUSIVE ET REMPLACE TOUTES LES AUTRES GARANTIES OU CONDITIONS, ÉCRITES OU ORALES, EXPRESSES OU TACITES DE QUALITÉ MARCHANDE OU D'ADAPTATION À UNE UTILISATION OU UNE FIN PARTICULIÈRE.

Cette garantie vous donne des droits particuliers. Vous pouvez aussi bénéficier d'autres droits variant d'un état à un autre et d'une province à une autre. Dans les états qui n'autorisent pas les exclusions de garantie tacite ou la limitation des dommages accessoires ou indirects, les limitations ou exclusions ci-dessus peuvent ne pas s'appliquer. Cette garantie s'applique aux États-Unis, au Canada et au Mexique uniquement.



AVERTISSEMENT!

Pour minimiser les risques de blessures, choc électrique et dommage à l'outil, n'immergez jamais l'outil et ne laissez pas de liquide s'infiltrer.

Nettoyage

Débarrassez les événements des débris et de la poussière. Gardez les poignées de l'outil propres, à sec et exemptes d'huile ou de graisse. Le nettoyage de l'outil doit se faire avec un linge humide et un savon doux. Certains nettoyants tels l'essence, la térébenthine, les diluants à laque ou à peinture, les solvants chlorés, l'ammoniaque et les détergents d'usage domestique qui en contiennent pourraient détériorer le plastique et l'isolation des pièces. Ne laissez jamais de solvants inflammables ou combustibles auprès des outils.

Réparations

Si votre outil est endommagé, retourne l'outil entier au centre de maintenance le plus proche.

ACCESSOIRES



AVERTISSEMENT!

Pour minimiser les risques de blessures, débranchez toujours l'outil avant d'y installer ou d'en enlever les accessoires. L'emploi d'accessoires autres que ceux qui sont expressément recommandés pour cet outil peut présenter des risques.

Pour une liste complète des accessoires, prière de se reporter au catalogue **MILWAUKEE** Electric Tool ou visiter le site internet www.milwaukeetool.com. Pour obtenir un catalogue, il suffit de contacter votre distributeur local ou l'un des centres-service.

REGLAS DE SEGURIDAD GENERALES PARA HERRAMIENTAS ELÉCTRICAS



¡ADVERTENCIA!

LEA TODAS LAS INSTRUCCIONES

Si no se siguen todas las siguientes instrucciones se puede provocar una descarga eléctrica, un incendio y/o lesiones graves. El término "herramienta eléctrica" en todas las advertencias incluidas más abajo se refiere a su herramienta operada por conexión (cable) a la red eléctrica o por medio de una batería (inalámbrica).

GUARDE ESTAS INSTRUCCIONES

SEGURIDAD EN EL ÁREA DE TRABAJO

1. **Mantenga limpia y bien iluminada el área de trabajo.** Las áreas desordenadas u oscuras contribuyen a que se produzcan accidentes.
2. **No utilice herramientas eléctricas en atmósferas explosivas, como en la presencia de líquidos, gases o polvo inflamables.** Las herramientas eléctricas crean chispas que pueden incendiar el polvo o las emanaciones.
3. **Mantenga a los niños y otras personas alejadas mientras utiliza una herramienta eléctrica.** Las distracciones pueden hacerle perder el control.

SEGURIDAD ELÉCTRICA

4. **Los enchufes de las herramientas eléctricas deben ser del mismo tipo que el tomacorrientes. Nunca realice ningún tipo de modificación en el enchufe. No use enchufes adaptadores con herramientas eléctricas con conexión a tierra.** Se reducirá el riesgo de descarga eléctrica si no se modifican los enchufes y los tomacorrientes son del mismo tipo.
5. **Evite el contacto corporal con superficies con conexión a tierra, como tuberías, radiadores, estufas y refrigeradores.** El riesgo de descarga eléctrica aumenta si su cuerpo está conectado a tierra.
6. **No exponga la herramientas eléctricas a la lluvia o a condiciones de humedad.** El agua que entra en una herramienta eléctrica aumenta el riesgo de descarga eléctrica.
7. **No abuse del cable. Nunca use el cable para transportar la herramienta eléctrica, tirar de ella o desenchufarla. Mantenga el cable alejado del calor, los bordes afilados o las piezas en movimiento.** Los cables dañados o enmarañados aumentan el riesgo de descarga eléctrica.
8. **Cuando se utiliza una herramienta eléctrica en el exterior, use una extensión que sea apropiada para uso en el exterior.** El uso de un cable apropiado para el exterior reduce el riesgo de descarga eléctrica.

SEGURIDAD PERSONAL

9. **Manténgase alerta, ponga cuidado a lo que está haciendo y use el sentido común cuando utilice una herramienta eléctrica. No use una herramienta eléctrica cuando está cansado o bajo la influencia de drogas, alcohol o medicinas.** Desprestarse un minuto cuando se utiliza una herramienta eléctrica puede tener como resultado lesiones personales graves.
10. **Use equipo de seguridad. Lleve siempre protección ocular.** Llevar equipo de seguridad apropiado para la situación, como una máscara antipolvo, zapatos de seguridad antideslizantes casco o protección auditiva, reducirá las lesiones personales.
11. **Evite los arranques accidentales. Asegúrese de que el interruptor esté en la posición de apagado antes de enchufar la herramienta.** Mover herramientas con el dedo en el interruptor o enchufar herramientas con el interruptor en la posición de encendido contribuye a que se produzcan accidentes.
12. **Quite todas las llaves de ajuste antes de encender la herramienta.** Una llave que esté acoplada a una pieza giratoria de la herramienta puede provocar lesiones personales.

13. **No se estire demasiado. Mantenga los pies bien asentados y el equilibrio en todo momento.** Esto permite tener mejor control de la herramienta eléctrica en situaciones inesperadas.
14. **Vístase de manera apropiada. No lleve ropa suelta ni joyas. Mantenga el cabello, la ropa y los guantes lejos de la piezas en movimiento.** La ropa floja, las joyas o el cabello largo pueden quedar atrapados en las piezas en movimiento.
15. **Si se proporcionan dispositivos para la conexión de sistemas de recolección y extracción de polvo, asegúrese de que estén conectados y se usen apropiadamente.** El uso de estos dispositivos puede reducir los peligros relacionados con el polvo.

USO Y CUIDADO DE LAS HERRAMIENTAS ELÉCTRICAS

16. **No fuerce la herramienta eléctrica. Use la herramienta eléctrica correcta para la aplicación.** La herramienta eléctrica correcta funcionará mejor y de manera más segura a la velocidad para la que se diseñó.
17. **No use la herramienta eléctrica si el interruptor no la enciende ni la apaga.** Cualquier herramienta eléctrica que no se pueda controlar con el interruptor es peligrosa y se debe reparar.
18. **Desconecte el enchufe de la toma de alimentación y/o la batería de la herramienta eléctrica antes de realizar cualquier ajuste, cambiar accesorios o almacenar las herramientas eléctricas.** Dichas medidas preventivas de seguridad reducen el riesgo de que la herramienta se prenda accidentalmente.
19. **Almacene las herramientas eléctricas fuera del alcance de los niños y no permita que personas no familiarizadas con ellas o estas instrucciones las utilicen.** Las herramientas eléctricas son peligrosas en las manos de usuarios no capacitados.
20. **Mantenimiento de las herramientas eléctricas. Revise que no haya piezas móviles que estén desalineadas o que se atasquen, piezas rotas ni ninguna otra condición que pueda afectar el funcionamiento de la herramienta eléctrica. Si se encuentran daños, haga que le reparen la herramienta antes de usarla.** Las herramientas mal mantenidas son la causa de muchos accidentes.
21. **Mantenga las herramientas de corte limpias y afiladas.** Es menos probable que se atasquen las herramientas de corte con filos afilados que se mantienen de manera apropiada y también son más fáciles de controlar.
22. **Use la herramienta eléctrica, los accesorios y las brocas, etc. siguiendo estas instrucciones y de la manera para la que dicha herramienta eléctrica en particular fue diseñada, teniendo en cuenta las condiciones de trabajo y la tarea que se va a realizar.** El uso de la herramienta eléctrica para operaciones diferentes de aquellas para las que se diseño podría resultar en una situación peligrosa.
23. **Haga que un técnico calificado realice el mantenimiento de la herramienta eléctrica utilizando solamente piezas de repuesto idénticas.** Esto asegurará que se mantiene la seguridad de la herramienta eléctrica.

MANTENIMIENTO

REGLAS ESPECIFICAS DE SEGURIDAD—SIERRAS CIRCULARES

- 1. Guarde las etiquetas y placas de especificaciones.** Estas tienen información importante. Si son ilegibles o si no se pueden encontrar, póngase en contacto con un centro de servicio de *MILWAUKEE* para una refacción gratis.
- 2. ¡PELIGRO! Mantenga las manos lejos de la cuchilla y del área de corte. Mantenga una de sus manos sobre la empuñadura auxiliar o el cárter del motor.** Si sostiene la sierra con ambas manos, la cuchilla no podrá cortarlas.
No meta la mano debajo de la pieza en la que se está trabajando. La guarda no lo puede proteger de la cuchilla debajo de la pieza en la que se está trabajando.
Ajuste la profundidad de corte al grosor de la pieza en la que se está trabajando. Por debajo de la pieza en la que se está trabajando se debe ver menos de un diente completo de la cuchilla.
- 3. Verifique que la guarda inferior esté bien cerrada antes de cada uso.** No utilice la sierra si la guarda inferior no se mueve libremente y no se cierra inmediatamente. Nunca amarre o sujete la guarda inferior en la posición abierta. Si se le cae la sierra accidentalmente, es posible que la guarda inferior se doble. Suba la guarda inferior con su palanca correspondiente y asegúrese de que se mueve libremente y de que no toca la cuchilla ni ninguna otra pieza en todos los ángulos y profundidades de corte.
- 4. Revise el funcionamiento y el estado del resorte de la guarda inferior. Si la guarda y el resorte no funcionan correctamente, deberá repararlos antes de utilizar la sierra.** La guarda inferior puede tener un funcionamiento lento debido a alguna parte dañada, a depósitos adherentes o a la acumulación de residuos.
- 5. El protector inferior debe retraerse manualmente solamente para cortes especiales como “cortes por penetración” y “cortes compuestos”.** Suba la guarda inferior usando la palanca correspondiente y, tan pronto como la cuchilla entra en el material, se debe soltar la guarda inferior. Para todas las demás tareas de serrado la guarda inferior debe funcionar automáticamente.
- 6. Antes de colocar la sierra sobre la mesa de trabajo o el piso, observe siempre si la guarda inferior está cubriendo la cuchilla.** Una cuchilla que continúa girando y no tiene protección hará que la sierra avance hacia atrás cortando todo lo que esté a su paso. Tome en cuenta el tiempo que tarda la cuchilla en detenerse después de soltar el interruptor.
- 7. NUNCA sujete la pieza que se está cortando con las manos o sobre las piernas. Asegure la pieza a una plataforma estable.** Es importante apoyar la pieza de manera apropiada para reducir al mínimo la exposición del cuerpo, el agarrotamiento de la cuchilla o la pérdida de control.
- 8. Agarre la herramienta por los asideros aislados cuando realice una operación en la que la herramienta de corte pueda entrar en contacto con cables ocultos o con su propio cable.** El contacto con un cable “con corriente” hará que las partes de metal expuesto de la herramienta pasen la corriente y produzcan una descarga al operador.
- 9. Al aserrar en corte longitudinal, utilice un limitador-guía especial para este tipo de cortes, o bien, utilice una guía lateral.** Esto mejora la exactitud del corte y reduce las posibilidades de que la cuchilla se atasque.
- 10. Utilice siempre las cuchillas en los orificios del eje del tamaño y la forma correcta (en rombo vs. redonda).** Las cuchillas que no coincidan con el dispositivo de montaje de la sierra girarán excéntricamente, provocando pérdida de control.
- 11. Nunca utilice arandelas o pernos dañados o incorrectos.** Las arandelas y pernos de la cuchilla han sido especialmente diseñados para su sierra a fin de brindar un funcionamiento óptimo y un manejo seguro.
- 12. ¡ADVERTENCIA!** Algunas partículas de polvo resultantes del lijado mecánico, aserrado, esmerilado, taladrado y otras actividades relacionadas a la construcción, contienen sustancias químicas que se saben ocasionan cáncer, defectos congénitos u otros daños al aparato reproductivo. A continuación se citan algunos ejemplos de tales sustancias químicas:
 - plomo proveniente de pinturas con base de plomo
 - sílice cristalino proveniente de ladrillos, cemento y otros productos de albañilería y
 - arsénico y cromo provenientes de madera químicamente tratada.El riesgo que usted sufre debido a la exposición varía dependiendo de la frecuencia con la que usted realiza estas tareas. Para reducir la exposición a estas sustancias químicas: trabaje en un área bien ventilada, y utilice equipo de seguridad aprobado como, por ejemplo, máscaras contra el polvo que hayan sido específicamente diseñadas para filtrar partículas microscópicas.
- 13. Causas del contragolpe y formas en que el operador puede prevenirlo:**

El contragolpe es una reacción repentina ocasionada por una cuchilla mal alineada, atascada o apretada que hará que una sierra sin control se levante y se salga del corte, y salte en dirección del operario.

Cuando el corte se cierra, la cuchilla se aprieta o se atasca y, consiguientemente, se detiene; al detenerse la cuchilla, la reacción del motor mueve la sierra rápidamente hacia atrás en dirección del operario.

Si la cuchilla se tuerce o se desalinea del corte, los dientes en su borde inferior pueden horadar hasta la superficie ocasionando que la cuchilla se salga completamente del corte y salte hacia atrás en dirección del operario.

El REBOTE es el resultado de un uso indebido de la sierra o de procedimientos o condiciones de utilización incorrectos, y se puede evitar tomando las precauciones apropiadas que se presentan a continuación:
- 14. Agarre la sierra firmemente con ambas manos y coloque los brazos de manera que resistan las fuerzas de rebote. Coloque el cuerpo a cualquiera de los lados de la cuchilla, pero no alineado con ésta.** El rebote podría hacer que la sierra salte hacia atrás, pero las fuerzas de rebote pueden ser controladas por el operador si se toman las precauciones apropiadas.
- 15. Cuando una cuchilla se atasca, o cuando Ud. interrumpe un corte por alguna razón, suelte el gatillo y sostenga la sierra sin movimiento dentro del corte hasta que la cuchilla se detenga completamente. Nunca intente retirar la cuchilla del corte ni tirar de la sierra hacia atrás mientras la cuchilla sigue girando; de lo contrario puede ocasionar un CONTRAGOLPE.** Investigue por qué se atasca la cuchilla y tome las medidas correctivas pertinentes para eliminar el problema.
- 16. Al reanudar el trabajo en la pieza, centre la cuchilla en el corte y revise que los dientes no estén enclavados en el material.** Si la sierra se atasca, puede atravesar el material saliendo a la superficie y producir un CONTRAGOLPE cuando la sierra sea puesta en funcionamiento.
- 17. Cuando corte paneles muy largos, deberá apuntalarlos para minimizar el riesgo de que la cuchilla se apriete y produzca un CONTRAGOLPE.** Los paneles de grandes dimensiones tienden a combarse por su propio peso. Los puntales o soportes deben colocarse debajo del panel a ambos lados, cerca de la línea de corte y cerca del borde del panel.

18. **No utilice una cuchilla dañada o sin filo.** Las cuchillas sin filo o aquéllas colocadas incorrectamente producen un corte estrecho ocasionando que haya una fricción excesiva, y la cuchilla se atasque y produzca un CONTRAGOLPE.

19. **Las palancas inmovilizadoras para ajustar el bisel y la profundidad deben ajustarse y asegurarse antes de comenzar a realizar el**

TIERRA



¡ADVERTENCIA!

Puede haber riesgo de descarga eléctrica si se conecta el cable de conexión de puesta a tierra incorrectamente. Consulte con un electricista certificado si tiene dudas respecto a la conexión de puesta a tierra del tomacorriente. No modifique el enchufe que se proporciona con la herramienta. Nunca retire la clavija de conexión de puesta a tierra del enchufe. No use la herramienta si el cable o el enchufe está dañado. Si está dañado antes de usarlo, llévelo a un centro de servicio MILWAUKEE para que lo reparen. Si el enchufe no se acopla al tomacorriente, haga que un electricista certificado instale un tomacorriente adecuado.

Herramientas con conexión a tierra: Herramientas con enchufes de tres clavijas

Las herramientas marcadas con la frase "Se requiere conexión de puesta a tierra" tienen un cable de tres hilos y enchufes de conexión de puesta a tierra de tres clavijas. El enchufe debe conectarse a un tomacorriente debidamente conectado a tierra (véase la Figura A). Si la herramienta se

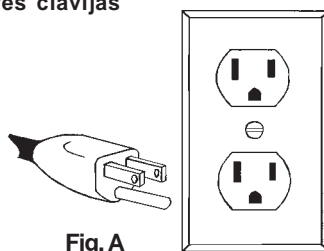


Fig. A

averiara o no funcionara correctamente, la conexión de puesta a tierra proporciona un trayecto de baja resistencia para desviar la corriente eléctrica de la trayectoria del usuario, reduciendo de este modo el riesgo de descarga eléctrica.

La clavija de conexión de puesta a tierra en el enchufe está conectada al sistema de conexión de puesta a tierra de la herramienta a través del hilo verde dentro del cable. El hilo verde debe ser el único hilo conectado al sistema de conexión de puesta a tierra de la herramienta y nunca se debe unir a una terminal energizada.

Su herramienta debe estar enchufada en un tomacorriente apropiado, correctamente instalado y conectado a tierra según todos los códigos y reglamentos. El enchufe y el tomacorriente deben asemejarse a los de la Figura A.

Herramientas con doble aislamiento: Herramientas con clavijas de dos patas

Las herramientas marcadas con "Doble aislamiento" no requieren conectarse "a tierra". Estas herramientas tienen un sistema aislante que satisface los estándares de OSHA y llena los estándares aplicables de UL (Underwriters Laboratories, Inc.), de la Asociación Canadiense de Estándares (CSA) y el Código Nacional de Electricidad. Las herramientas con doble aislamiento pueden ser usadas en cualquiera de los toma corriente de 120 Volt mostrados en las Figuras B y C.

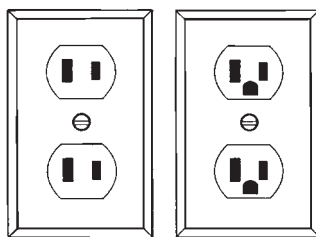


Fig. B

Fig. C

EXTENSIONES ELÉCTRICAS

Las herramientas que deben conectarse a tierra cuentan con clavijas de tres patas y requieren que las extensiones que se utilicen con ellas sean también de tres cables. Las herramientas con doble aislamiento y clavijas de dos patas pueden utilizarse indistintamente con extensiones de dos a tres cables. El calibre de la extensión depende de la distancia que exista entre la toma de la corriente y el sitio donde se utilice la herramienta. El uso de extensiones inadecuadas puede causar serias caídas en el voltaje, resultando en pérdida de potencia y posible daño a la herramienta. La tabla que aquí se ilustra sirve de guía para la adecuada selección de la extensión.

Mientras menor sea el número del calibre del cable, mayor será la capacidad del mismo. Por ejemplo, un cable calibre 14 puede transportar una corriente mayor que un cable calibre 16. Cuando use mas de una extensión para lograr el largo deseado, asegúrese que cada una tenga al menos, el mínimo tamaño de cable requerido. Si está usando un cable de extensión para mas de una herramienta, sume los amperes de las varias placas y use la suma para determinar el tamaño mínimo del cable de extensión.

Guías para el uso de cables de extensión

- Si está usando un cable de extensión en sitios al aire libre, asegúrese que está marcado con el sufijo "W-A" ("W" en Canadá) el cual indica que puede ser usado al aire libre.
- Asegúrese que su cable de extensión está correctamente cableado y en buenas condiciones eléctricas. Cambie siempre una extensión dañada o hágala reparar por una persona calificada antes de volver a usarla.
- Proteja su extensión eléctrica de objetos cortantes, calor excesivo o areas mojadas.







Calibre mínimo recomendado para cables de extensiones eléctricas*

Amperios (En la placa)	Largo de cable de Extensión en (m)					
	7,6	15,2	22,8	30,4	45,7	60,9
0 - 5,0	16	16	16	14	12	12
5,1 - 8,0	16	16	14	12	10	--
8,1 - 12,0	14	14	12	10	--	--
12,1 - 15,0	12	12	10	10	--	--
15,1 - 20,0	10	10	10	--	--	--

* Basado en limitar la caída en el voltaje a 5 volts al 150% de los amperios.

LEA Y GUARDE TODAS LAS INSTRUCCIONES PARA FUTURAS REFERENCIAS.

Simbología

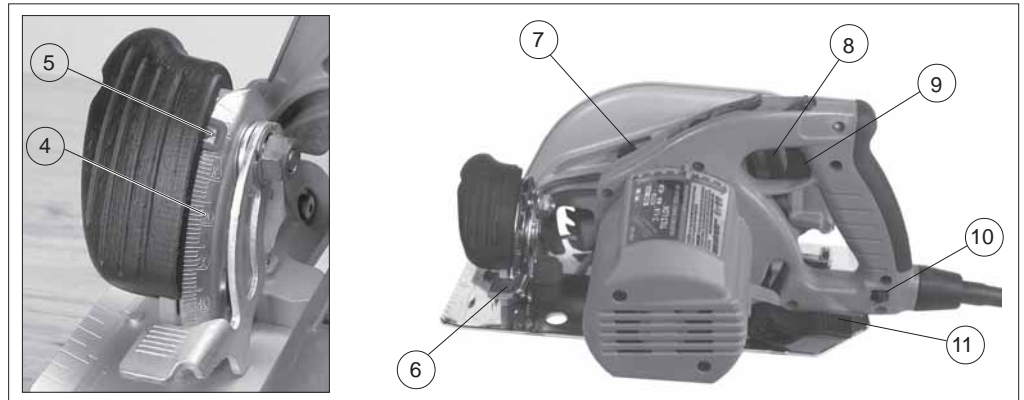
	Con doble aislamiento
	Canadian Standards Association
	Underwriters Laboratories, Inc.
	Volts de corriente continua y alterna
	Volts de corriente alterna
	Amperios
n° <u>xxxx</u> /min.	Revoluciones por minuto (RPM)

Especificaciones

Cat. No.	Volts	RPM sin Carga	Diam. de Disco	Entrada Disco	Profundidad de Corte a 90°	Profundidad de Corte a 45°
6390-20	120 ca/cd	5 800	184mm 7-1/4"	16mm (5/8")	0 hasta 59mm (0 hasta 2-15/32)	0 hasta 46 mm (0 hasta 1-13/16")
6394	120 ca solo	5 800	184 mm (7-1/4")	16mm (5/8")	0 hasta 59mm (0 hasta 2-15/32)	0 hasta 46 mm (0 hasta 1-13/16")

DESCRIPCION FUNCIONAL

1. Empuñadura Tilt-Lok™ (inclinable-fijable)
2. Botón de liberación de la palanca de la empuñadura
3. Palanca de liberación de la empuñadura
4. Escala de bisel
5. Indicador de bisel
6. Palanca de ajuste de bisel
7. Botón inmovilizador del vástago
8. Medidor de ajuste de profundidad (no se ilustra)
9. Gatillo
10. Botón de liberación del cable (Cat. No. 6394 solo.)
11. Palanca de ajuste de profundidad
12. Empuñadura frontal
13. Línea de visión
14. Muesca de línea de corte
15. Guarda inferior
16. Brida de la cuchilla
17. Tuerca del disco
18. Disco de corte
19. Zapata
20. Palanca de la guarda inferior
21. Guarda superior
22. Cable Positive-Lok® (Cat. No. 6394 solo.)



Cat. No. 6394

ENSAMBAJE DE LA HERRAMIENTA

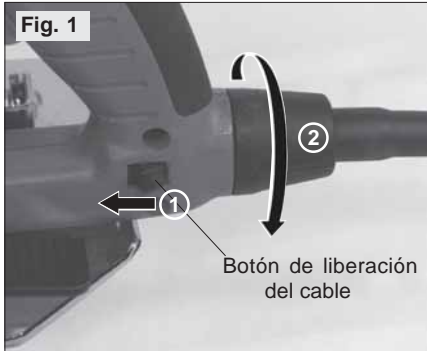


¡ADVERTENCIA!

A fin de reducir el riesgo de lesionarse, desconecte siempre la herramienta antes de fijar o retirar accesorios, o antes de efectuar ajustes. Utilice sólo los accesorios específicamente recomendados. El uso de otros accesorios puede ser peligroso.

Remoción y reemplazo de Cables Positive-Lok® (Fig. 1) Cat. No. 6394

Los exclusivos Cables Positive-Lok® de MILWAUKEE proporcionan reemplazo o sustitución al instante en el lugar de trabajo. La función del Positive-Lok® asegura el cable firmemente a la herramienta.



1. Para remover el Cable Positive-Lok®, oprima el botón de liberación del cable en la dirección indicada y gire la tuerca del cable 1/4 de vuelta a la izquierda. Tire del cable para retirarlo.
2. Para reemplazar el Cable Positive-Lok®, alinee las ranuras de chaveta del conector y empuje el conector hacia adentro hasta que tope. Gire la tuerca del cable 1/4 de vuelta hacia la derecha para asegurarlo. El botón de liberación del cable deberá caer nuevamente en su posición.

Selección del disco

Use siempre discos afilados. Los discos sin filo tienden a sobrecargar la herramienta y aumentan el riesgo de una "patada" (vea pg. 28). Use solo discos con una velocidad máxima de operación mayor a la que marcan las RPM sin carga, de la herramienta en su placa. Lea las instrucciones del fabricante del disco antes de usarlo.

Cómo instalar y retirar las cuchillas (Figs. 2 y 3)

1. Desconecte la herramienta antes de instalar o retirar las cuchillas.
2. Coloque la sierra sobre una superficie plana, con la cuchilla orientada hacia arriba. Al tiempo que oprime el seguro que traba la flecha, use una llave de provista con la herramienta para y gire la tuerca en sentido inverso a un reloj (Fig. 2). Extraiga el perno y la brida de la cuchilla.



3. Mueva la palanca de la guarda inferior para subir la misma. Retire la cuchilla del vástago. Limpie siempre el polvo y el aserrín del vástago, la guarda superior y la inferior.

4. Para instalar una cuchilla, coloque la cuchilla en el vástago con los dientes apuntando en la misma dirección indicada por la flecha de la guarda inferior (Fig. 3). Suelte la guarda inferior.



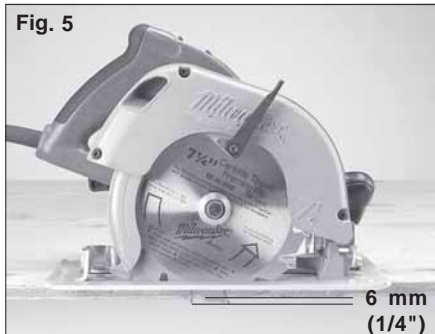
5. Extraiga el perno y la brida de la cuchilla.
6. Al tiempo que oprime el seguro de la flecha, use la llave de para girar la tuerca en sentido de un reloj. Apriétela firmemente.

Ajuste de profundidad (Figs. 4 y 5)

1. Desconecte la herramienta.
2. Para ajustar la profundidad del corte, sostenga la sierra por la empuñadura Tilt-Lok™ (inclinable-fijable) y afloje la palanca de ajuste de profundidad, levantándola y alejándola de la zapata (Fig. 4).



3. Suba o baje la zapata a la posición deseada. Las graduaciones en incrementos de 6 mm (1/4") marcadas en el lado interior de la guarda superior son para fijar la profundidad. Para una profundidad correcta, la cuchilla no se deberá extenderse más de 6 mm (1/4") por debajo del material que se esté cortando (Fig. 5).



4. Mueva la palanca de ajuste de profundidad hacia la zapata y presione hacia abajo para fijar la posición.

Cómo ajustar el ángulo del bisel (Figs. 6 y 7)

1. Desconecte la herramienta.
2. Para ajustar el ángulo de corte, sostenga la sierra por la empuñadura Tilt-Lok™ (inclinable-fijable) y afloje la palanca de ajuste de bisel, levantándola hacia la cuchilla (Fig. 6).



3. Sujete la empuñadura frontal y gire la sierra sosteniéndola por la empuñadura Tilt-Lok™ (inclinable-fijable) hasta el ángulo deseado indicado por las marcas en la escala de bisel (Fig. 7).



4. Separe de la cuchilla la palanca de ajuste de profundidad y presione hacia abajo para fijar la posición.

Cómo ajustar el ángulo de la empuñadura Tilt-Lok™ (inclinable-fijable) (Figs. 8 y 9)

Esta sierra circular está equipada con una empuñadura ajustable. La característica Tilt-Lok™ (inclinable-fijable) le permite al usuario ajustar el ángulo de la empuñadura para lograr la mejor posición de corte.

1. Desconecte la herramienta.
2. Presione y sostenga el botón de liberación de la palanca de la empuñadura.
3. Afloje la palanca de liberación de la empuñadura, levantándola y alejándola de la empuñadura Tilt-Lok™ (inclinable-fijable) (Fig. 8).



4. Para ajustar la posición de la empuñadura, sujete la empuñadura frontal y gire la empuñadura Tilt-Lok™ (inclinable-fijable) hasta el ángulo deseado, indicado por las marcas de ajuste de rotación de la empuñadura (Fig. 9). La empuñadura Tilt-Lok™ (inclinable-fijable) tiene ocho (8) retenes que permiten fijar la empuñadura en posición.



NOTA: La profundidad de corte de la cuchilla determina el margen de posiciones fijables de inclinación disponibles para una aplicación en particular. Véase "Ajuste de la profundidad" para obtener las instrucciones sobre cómo ajustar la profundidad de corte de la cuchilla.

5. Empuje la palanca de liberación de la empuñadura hacia la empuñadura hasta que la palanca encaje en su lugar.

¡ADVERTENCIA!

No opere la sierra teniendo presionado el botón de liberación de la palanca de la empuñadura o sin que la empuñadura esté fijada en posición.

NOTA: La sierra no funcionará a menos que la palanca de liberación de la empuñadura esté debidamente fijada en posición.

¡ADVERTENCIA!

Si la empuñadura Tilt-Lok™ (inclinable-fijable) se mueve mientras le palanca se encuentra fija en posición, no opere la sierra. Regrese inmediatamente la sierra circular a un centro de servicio MILWAUKEE para que la reparen.

Cómo ajustar la cuchilla con respecto a la zapata (Figs. 10 y 11)

La zapata viene ajustada de la fábrica a 90 grados. Inspeccione la sierra regularmente para asegurarse de que la cuchilla esté a 90 grados de la zapata.

1. Desconecte la herramienta.
2. Fije el indicador de bisel a cero (Fig. 10).



3. Para asegurarse de que la cuchilla esté a 90 grados de la zapata, coloque la sierra en el lado de la cuchilla y pliegue la guarda inferior. Coloque un cuadrado contra la cuchilla y la zapata para inspeccionar el ángulo fijado (Fig. 11).
4. Para ajustar el ángulo, afloje la palanca de ajuste de bisel, levantándola hacia la cuchilla. Afloje o apriete el tornillo de ajuste de bisel hasta que la cuchilla esté a un ángulo de 90 grados con respecto a la zapata.
5. Verifique que el indicador de bisel esté a 0 grados. Para ajustar el indicador de bisel, afloje los dos tornillos en la empuñadura frontal y restablezca el indicador de bisel a 0 grados.



OPERACION



¡ADVERTENCIA!

Para reducir el riesgo de una lesión, use siempre lentes de seguridad o anteojos con protectores laterales. Desconecte la herramienta antes de cambiar algún accesorio o de hacerle algún ajuste.

Causas del contragolpe y formas en que el operador puede prevenirlo:

El contragolpe es una reacción repentina ocasionada por una cuchilla mal alineada, atascada o apretada que hará que una sierra sin control se levante y se salga del corte, y salte en dirección del operario.

Cuando la ranura del corte frena o atasca la cuchilla, ésta se detiene y la reacción del motor mueve la unidad rápidamente hacia atrás en dirección del operario.

Si la cuchilla se tuerce o se desalinea del corte, los dientes en su borde inferior pueden horadar hasta la superficie ocasionando que la cuchilla se salga completamente del corte y salte hacia atrás en dirección del operario.

El contragolpe es consecuencia de la mala utilización de la herramienta y de procedimientos o circunstancias de operación inadecuadas. Puede evitarse si se toman las debidas precauciones, tal como se describe a continuación:

1. **Sostenga firmemente la sierra con las dos manos y coloque su cuerpo y brazos de modo tal que le permitan resistir la fuerza del CONTRAGOLPE.** El operario puede controlar la fuerza del CONTRAGOLPE si toma las precauciones debidas.
2. **Cuando una cuchilla se atasca, o cuando Ud. interrumpe un corte por alguna razón, suelte el gatillo y sostenga la sierra sin movimiento dentro del corte hasta que la cuchilla se detenga completamente. Nunca intente retirar la cuchilla del corte ni tirar de la sierra hacia atrás mientras la cuchilla sigue girando; de lo contrario puede ocasionar un CONTRAGOLPE.** Investigue por qué se atasca la cuchilla y tome las medidas correctivas pertinentes para eliminar el problema.
3. **Al reanudar el trabajo en la pieza, centre la cuchilla en el corte y verifique que los dientes de la sierra no estén enclavados en el material.** Si la sierra se atasca, es posible que ésta camine hacia arriba y salga de la pieza de trabajo o rebote de la misma y produzca un CONTRAGOLPE al ponerla en funcionamiento.
4. **Cuando corte paneles muy largos, deberá apuntalarlos para minimizar el riesgo de que la cuchilla se apriete y produzca un CONTRAGOLPE.** Los paneles de grandes dimensiones tienden a combarse por su propio peso. Los puntales o soportes deben colocarse debajo del panel a ambos lados, cerca de la línea de corte y cerca del borde del panel.
5. **No utilice una cuchilla dañada o sin filo.** Las cuchillas sin filo o aquéllas colocadas incorrectamente producen un corte estrecho ocasionando que haya una fricción excesiva, y la cuchilla se atasque y produzca un CONTRAGOLPE.
6. **Las palancas inmovilizadoras para ajustar el bisel y la profundidad deben ajustarse y asegurarse antes de**

comenzar a realizar el corte. Si el ajuste de la cuchilla cambia mientras se efectúa el corte, la cuchilla puede atascarse y producir un CONTRAGOLPE.

7. **Sea sumamente precavido al realizar cortes «internos» en paredes ya listas o en otras zonas «ciegas».** Al salir, la cuchilla puede cortar objetos que, a su vez, pueden ocasionar un CONTRAGOLPE.
8. **Ajuste la profundidad de corte a no más de 3mm o 6mm mayor que el grosor del material a cortar.** Entre menor sea la exposición del disco, menor será el riesgo de "patada". Antes de cortar, asegúrese que tanto el ajuste de profundidad como en de ángulo de corte están bien apretados.
9. **Tenga mucha precaución con maderas dobladas, con nudos o mojada.** Estas son muy propensas a crear una condición de atasque y de "patada". No use guías en maderas dobladas. Evite cortar clavos.
10. **Use una guía de corte o filo cuando corte a lo largo.** Este tipo de guías mejoran el control sobre la sierra y reducen el riesgo de que el disco se doble o atasque.
11. **Esté alerta.** Cualquier distracción puede hacer que el disco se doble. Cuando se hacen cortes iguales repetitivos, puede generar que el operario se confíe y distraiga.

Operación en general (Figs. 12 y 13)

Sujete siempre, en forma segura en un banco de trabajo, el material a cortar (Fig. 12). Para saber la forma correcta de sujetar el material en diferentes situaciones, vea "Aplicaciones".



1. **Dibuje la línea de corte.** Coloque la parte delantera de la zapata en la orilla del material, sin hacer contacto con él. Sujete con una mano la empuñadura Tilt-Lok (inclinable-fijable) y con la otra la empuñadura frontal (Fig. 13).



2. Alinee la línea de visión con la línea de corte. Posicione sus manos y cuerpo de forma balanceada que pueda resistir una "patada". Jale el gatillo, permitiendo que el motor alcance su máxima velocidad, antes de iniciar el corte.
3. Al ir realizando el corte, mantenga la zapata plana contra la superficie del material cortado y mantenga una sujeción firme. No force la sierra durante el corte ya que si lo hace puede generar una "patada".
4. Si va a realizar un corte parcial, o va a reiniciar o corregir a la mitad de un corte, permita que el disco se detenga por completo. Para reanudar el corte, centre el disco en el surco, retrase la sierra unas cuantas pulgadas, jale el gatillo y reinicie el corte lentamente.
5. Si la sierra se atasca y se detiene, sosténgala firmemente y suelte de inmediato el gatillo. Sostenga la sierra sin movimiento dentro del corte hasta que la cuchilla se detenga completamente.
6. Luego de terminar un corte, asegúrese que la guarda inferior cierra y el disco llega a detenerse por completo antes de dejar descansando a la sierra.

Freno eléctrico (Cat. No. 6394)

Modelos específicas vienen con freno eléctrico. Los frenos se activan al soltar el gatillo, deteniendo el disco de corte para permitirle continuar con su trabajo. Por lo general, el disco de corte de la sierra se detiene en dos segundos. Sin embargo, el tiempo que transcurra desde que suelte el gatillo y la aplicación del freno puede ser mayor. Si el freno falla con frecuencia, la sierra necesita mantenimiento y para ello deberá contactar una estación de servicio autorizada de **MILWAUKEE**. El freno no sustituye la guarda, por lo que siempre deberá esperar a que el disco de corte se

detenga por completo antes de retirar la sierra del área de trabajo. Para asegurar la operación correcta del freno, debe usar el grado correcto de cepillo. Al darle mantenimiento a la herramienta, utilice únicamente cepillos de repuesto **MILWAUKEE** apropiados.

Solución de problemas

Si el disco no quiere seguir una línea recta:

- Los dientes pueden estar sin filo de un lado. Esto es causado al golpear sólidamente con un objeto duro como puede ser un clavo o una piedra, mellando a los dientes de un solo lado. El disco tenderá a cortar hacia el lado con los dientes mas afilados.
- La zapata está desalineada o doblada
- El disco está doblado
- Por no usar una guía de corte

Si el disco se dobla o atasca, hecha humo o se pone azul por la fricción:

- El disco no tiene filo
- El disco está colocado al revés
- El disco está doblado
- El disco está sucio
- El material a cortar no está bien apoyado
- Se está usando un disco incorrecto

APLICACIONES



¡ADVERTENCIA!

Para reducir el riesgo de una lesión, use siempre lentes de seguridad o anteojos con protectores laterales. Desconecte la herramienta antes de cambiar algún accesorio o de hacer algún ajuste.

Selección de las posiciones de la empuñadura Tilt-Lok™ (inclinable-fijable) (Figs. 14, 15 y 16)

La empuñadura Tilt-Lok™ (inclinable-fijable) es una característica que le permite al usuario ajustar el ángulo de la empuñadura para lograr la mejor posición de corte. La empuñadura Tilt-Lok™ (inclinable-fijable) tiene ocho (8) retenes que permiten fijar la empuñadura en posición (Fig. 14). Véase "Ajuste de la empuñadura Tilt-Lok™ (inclinable-fijable)" para obtener las instrucciones sobre cómo ajustar la empuñadura. Refiérase al siguiente cuadro de posiciones sugeridas para la empuñadura.

APLICACION	POSICIONES SUGERIDAS PARA LA EMPUÑADURA TILT-LOK™ (INCLINABLE-FIJABLE) *
Para realizar cortes al nivel exacto o aproximado de la cintura	Las posiciones más bajas de la empuñadura (Fig. 14) permiten que la sierra pueda ser empujada con mayor fuerza a través de la pieza de trabajo.
Para realizar cortes no profundos al nivel exacto o aproximado de la cintura	Las posiciones más bajas de la empuñadura le permiten al usuario aplicar una mayor presión hacia abajo durante los cortes no profundos, lo cual aumenta el control sobre la herramienta.
Para realizar cortes por debajo de la cintura, tal como en aplicaciones para pisos	Las posiciones más altas de la empuñadura (Fig. 15) disminuyen las veces que el usuario necesite inclinarse. También le permiten al usuario aplicar una mayor fuerza hacia abajo sobre la sierra.
Para realizar cortes sobre la cabeza, tal como en aplicaciones para techos	Las posiciones más altas de la empuñadura disminuyen las veces que el usuario necesite extenderse para hacer cortes sobre la cabeza. También le permiten al usuario aplicar una mayor fuerza hacia arriba sobre la sierra.

* Estas son posiciones sugeridas únicamente; es posible que la mejor posición de corte en sí pueda variar dependiendo de la aplicación en particular y la preferencia del usuario.

Fig. 14



Fig. 15



Fig. 16



Cortando paneles grandes (Fig. 17)

Este tipo de paneles o tabloncillos largos y grandes tienden a doblarse si no están bien apoyados. Si se intenta cortar sin nivelar y apoyar correctamente el material, el disco se atascará causando una "patada".

Apoye los paneles grandes como se ilustra. Asegúrese de ajustar la profundidad de corte de forma tal que solo se corte el material y no se corten los soportes.



Cortando a lo largo

Cuando se corta a lo largo del grano, debe seleccionarse la hoja adecuada para ese trabajo. Use una guía o tope cuando corte 102 mm (4") o menos de ancho. Para instalar la guía de corte, deslice la barra de la misma por la ranura a cualquier lado en la zapata. El ancho del corte es la distancia del interior del disco al lado interior de la guía, como se ilustra. Ajuste la guía al ancho deseado y asegúrela apretando los tornillos de la guía.

Cuando corte más de 102 mm (4"), clave o coloque un tablón de 25 mm (1") al material de trabajo y use la orilla interior de la zapata como una guía.

Cortando madera a través (Fig. 18)

Los cortes a través son aquellos que van contra el grano o veta de la madera. Seleccione el disco adecuado para el trabajo. Alimente la sierra despacio para evitar la tendencia por romperse o doblarse por parte de las fibras de la madera.



¡ADVERTENCIA!

Antes de proceder a realizar un corte "interno" y a fin de reducir el riesgo de electrocución, revise el área de trabajo y asegúrese de que no haya tubos ni cables ocultos.

Cortes interiores (Fig. 19)

Este tipo de cortes se realizan en la mitad del material cuando no puede ni debe cortarse partiendo de una orilla. Recomendamos usar una sierra caladora o sierra sable para este tipo de trabajo. Sin embargo, si debe usted usar una sierra circular para hacer este tipo de corte, TENGA EXTREMO CUIDADO. Para mantener el control sobre la sierra durante los trabajos de corte interno, mantenga ambas manos en la sierra (Fig. 19).



1. Iniciando en una esquina, alinee la línea de visión con la línea de corte. Incline la sierra hacia adelante, apoyando firmemente la parte delantera de la zapata contra el material. El disco debe estar ligeramente por encima de la línea de corte, pero sin tocarla. Levante la guarda inferior usando la palanca respectiva.
2. Jale el gatillo, permitiendo que el disco desarrolle su velocidad completa. Usando la parte delantera de la zapata como pivote, baje gradualmente la parte posterior de la sierra contra el material.
3. Cuando la zapata quede extendida sobre la pieza que se está cortando, suelte la palanca de la guarda inferior. Haga avanzar la sierra a la esquina extrema. Suelte el gatillo y espere a que el disco esté parado por completo, antes de retirar la sierra del material. Repita este procedimiento en cada uno de los lados de la apertura. Use una sierra sable Sawzall®, una caladora o un serrucho para darle el acabado a las esquinas cuando estas no estén completamente cortadas.

Corte de concreto y metal

No obstante que las sierras circulares *MILWAUKEE* están primordialmente diseñadas para cortar madera, pueden también usarse para cortar concreto y metal, usando los discos abrasivos adecuados o discos abrasivos de carburo de silicio.

¡ADVERTENCIA!

Use solo discos abrasivos que tengan una velocidad máxima de operación que sea mayor a las RPM libres marcadas en la placa de la herramienta.

Cuando corte concreto, use un disco abrasivo de carburo de silicio. Haga varias pasadas sucesivas a profundidades de menos de 6 mm (1/4") para lograr la profundidad deseada. Si se corte a una profundidad mayor a 6 mm (1/4") puede dañarse el disco. Limpie frecuentemente de las ventilas y guardas, el polvo resultante del corte. Use siempre una máscara contra el polvo.

Cuando corte metales de calibres ligeros, use un disco abrasivo de óxido de aluminio. Ajuste la profundidad de corte a entre 3 mm y 6 mm (1/8" y 1/4") mayor que el grosor del material que se va a cortar. Proteja de las chispas a todos los que estén en el área.

¡ADVERTENCIA!

Los residuos del polvo y los granos abrasivos pueden hacer que la guarda se vaya hacia arriba en cualquier momento. Si se usa la sierra con un disco abrasivo o un disco abrasivo de carburo de silicio, sepárela y márkela para ese uso solamente. Antes de volver a usar su sierra para cortar madera, mándela a un Centro de Servicio Autorizado *MILWAUKEE* para que la limpien y la prueben.

MANTENIMIENTO



¡ADVERTENCIA!

Para reducir el riesgo de lesiones, desconecte siempre la herramienta antes de darle cualquier mantenimiento. Nunca desarme la herramienta ni trate de hacer modificaciones en el sistema eléctrico de la misma. Acuda siempre a un Centro de Servicio **MILWAUKEE** para TODAS las reparaciones.

Mantenimiento de las herramientas

Adopte un programa regular de mantenimiento y mantenga su herramienta en buenas condiciones. Antes de usarla, examine las condiciones generales de la misma. Inspeccione guardas, interruptores, el cable de la herramienta y el cable de extensión. Busque tornillos sueltos o flojos, defectos de alineación y dobleces en partes móviles, así como montajes inadecuados, partes rotas y cualquier otra condición que pueda afectar una operación segura. Si detecta ruidos o vibraciones anormales, apague la herramienta de inmediato y corrija el problema antes de volver a usarla. No utilice una herramienta dañada. Colóquese una etiqueta que diga "NO DEBE USARSE" hasta que sea reparada (vea "Reparaciones").

Bajo condiciones normales, no se requiere lubricación hasta que haya que cambiar los carbones. Después de 6 meses a un año, dependiendo del uso dado, envíe su herramienta al Centro de Servicio **MILWAUKEE** más cercano para que le hagan:

- Lubricación
- Inspección y cambio de carbones
- Inspección mecánica y limpieza (engranes, flechas, baleros, carcarza, etc.)
- Inspección eléctrica (interruptor, cable, armadura, etc.)
- Probarla para asegurar una operación mecánica y eléctrica adecuada.

GARANTÍA LIMITADA DE CINCO AÑOS

Todas las herramientas **MILWAUKEE** se prueban antes de abandonar la fábrica y se garantiza que no presentan defectos ni en el material ni de mano de obra. En el plazo de cinco (5) años a partir de la fecha de compra **MILWAUKEE** reparará o reemplazará (a discreción de **MILWAUKEE**), sin cargo alguno, cualquier herramienta (cargadores de baterías inclusive) cuyo examen determine que presenta defectos de material o de mano de obra. Devuelva la herramienta, con gastos de envío prepagados y asegurada, y una copia de la factura de compra, u otro tipo de comprobante de compra, a una sucursal de reparaciones/ventas de la fábrica **MILWAUKEE** o a un centro de reparaciones autorizado por **MILWAUKEE**. Esta garantía no cubre los daños ocasionados por reparaciones o intentos de reparación por parte de personal no autorizado por **MILWAUKEE**, abuso, desgaste y deterioro normal, falta de mantenimiento o accidentes.

Las baterías, linternas y radios tienen una garantía de un (1) año a partir de la fecha de compra.

LOS DERECHOS A REPARACIÓN Y REEMPLAZO DESCRITOS EN EL PRESENTE DOCUMENTO SON EXCLUSIVOS. **MILWAUKEE** NO SERÁ EN NINGÚN CASO RESPONSABLE DE DAÑOS INCIDENTALES, ESPECIALES O CONSECUENTES, INCLUYENDO LA PÉRDIDA DE GANANCIAS.

ESTA GARANTÍA ES EXCLUSIVA Y SUSTITUYE A TODA OTRA GARANTÍA, O CONDICIONES, ESCRITAS U ORALES, EXPRESAS O IMPLÍCITAS DE COMERCIALIZACIÓN O IDONEIDAD PARA UN USO O FIN DETERMINADO.

Esta garantía le proporciona derechos legales específicos. Es posible que usted tenga otros derechos que varían de estado a estado y de provincia a provincia. En aquellos estados que no permiten la exclusión de garantías implícitas o la limitación de daños incidentales o consecuentes, las limitaciones anteriores pueden que no apliquen. Esta garantía es válida solamente en los Estados Unidos, Canadá y México.



¡ADVERTENCIA!

Para reducir el riesgo de lesiones, descarga eléctrica o daño a la herramienta, nunca la sumerja en líquidos ni permita que estos fluyan dentro de la misma.

Limpieza

Limpie el polvo y suciedad de las ventilas. Mantenga las empuñaduras de la herramienta limpias, secas y libres de aceite y grasa. Use sólo jabón neutro y un trapo húmedo para limpiar su herramienta ya que algunas sustancias y disolventes limpiadores pueden ocasionar daños a materiales plásticos y partes aislantes. Algunos de estos incluyen: gasolina, trementina, diluyente para barniz, diluyente para pintura, disolventes limpiadores clorados, amoníaco, y detergentes caseros que contengan amoníaco.

Reparaciones

Si su instrumento se daña, vuelva el instrumento entero al más cercano centro de reparaciones.

ACCESORIOS



¡ADVERTENCIA!

Para reducir el riesgo de lesiones, desconecte siempre su herramienta antes de colocar o retirar un accesorio. Use solo accesorios recomendados específicamente. Otros pueden ser peligrosos.

Para una lista completa de accesorios, refiérase a su catálogo **MILWAUKEE** Electric Tool o visite nuestro sitio en Internet: www.milwaukeetool.com. Para obtener un catálogo, contacte su distribuidor local o uno de los centros.

UNITED STATES

MILWAUKEE Service

MILWAUKEE prides itself in producing a premium quality product that is **NOTHING BUT HEAVY DUTY®**.

Your satisfaction with our products is very important to us!

If you encounter any problems with the operation of this tool, or you would like to locate the *factory* Service/Sales Support Branch or *authorized service station* nearest you, please call...

1-800-SAWDUST

(1.800.729.3878)

NATIONWIDE TOLL FREE

Monday-Friday • 8:00 AM - 4:30 PM • Central Time
or visit our website at

www.milwaukeetool.com

For service information, use the 'Service Center Search' icon found in the 'Parts & Service' section.

Additionally, we have a nationwide network of *authorized* Distributors ready to assist you with your tool and accessory needs. Check your "Yellow Pages" phone directory under "Tools-Electric" for the names & addresses of those nearest you or see the 'Where To Buy' section of our website.

Corporate After Sales Service - Technical Support
Brookfield, Wisconsin USA

•Technical Questions •Service/Repair Questions •Warranty

1-800-SAWDUST

(1.800.729.3878)

fax:1.800.638.9582

email: metproductsupport@milwaukeetool.com

Monday-Friday • 8:00 AM - 4:30 PM • Central Time

CANADA

Service MILWAUKEE

MILWAUKEE est fier de proposer un produit de première qualité **NOTHING BUT HEAVY DUTY®**. Votre satisfaction est ce qui compte le plus!

En cas de problèmes d'utilisation de l'outil ou pour localiser le centre de service/ventes ou le *centre d'entretien* le plus proche, appelez le...

416.439.4181

fax: 416.439.6210

Milwaukee Electric Tool (Canada) Ltd

755 Progress Avenue

Scarborough, Ontario M1H 2W7

Notre réseau national de distributeurs *agréés* se tient à votre disposition pour fournir l'aide technique, l'outillage et les accessoires nécessaires. Composez le 416.439.4181 pour obtenir les noms et adresses des revendeurs les plus proches ou bien consultez la section «Où acheter» sur notre site web à l'adresse

www.milwaukeetool.com

MEXICO

Servicios de MILWAUKEE

Milwaukee Electric Tool

Bvd. Abraham Lincoln no. 13

Colonia Los Reyes Zona Industrial

Tlalnepantla, Edo. México C.P. 54073

Tel. 55 5565-1414 Fax: 55 5565-6874

Adicionalmente, tenemos una red nacional de distribuidores autorizados listos para ayudarle con su herramienta y sus accesorios. Por favor, llame al 55 5565-1414 para obtener los nombres y direcciones de los más cercanos a usted, o consulte la sección 'Where to buy' (Dónde comprar) de nuestro sitio web en

www.milwaukeetool.com

MILWAUKEE ELECTRIC TOOL CORPORATION

13135 West Lisbon Road • Brookfield, Wisconsin, U.S.A. 53005